

# The Construction of Smooth Parseval Frames of Shearlets

Kanghui Guo and Demetrio Labate

October 27, 2011

## Abstract

The shearlet representation has gained increasing recognition in recent years as a framework for the efficient representation of multidimensional data. This representation consists of a countable collection of functions defined at various locations, scales and orientations, where the orientations are obtained through the use of shearing matrices. While shearing matrices offer the advantage of preserving the integer lattice and being more appropriate than rotations for digital implementations, the drawback is that the action of the shearing matrices is restricted to cone-shaped regions in the frequency domain. Hence, in the standard construction, a Parseval frame of shearlets is obtained by combining different systems of cone-based shearlets which are projected onto certain subspaces of  $L^2(\mathbb{R}^D)$  with the consequence that the elements of the shearlet system corresponding to the boundary of the cone regions lose their good spatial localization property. In this paper, we present a new construction yielding smooth Parseval frame of shearlets for  $L^2(\mathbb{R}^D)$ . In particular, all the elements of the shearlet systems obtained from this construction are compactly supported and  $C^\infty$  in the frequency domain, hence ensuring that the system has also good spatial localization.

**Key words.** Affine systems, nonlinear approximations, shearlets, sparse approximations, wavelets.

**Mathematics Subject Classification.** 42C15, 42C40

## 1 Introduction

Several advanced multiscale representations were introduced during the last 10 years to overcome the limitations of wavelets and other traditional multiscale methods in dealing with multidimensional data efficiently. Indeed, wavelets are not very efficient in capturing the geometry of images with edges, so that they can only provide suboptimal approximations for these and other higher dimensional data. Starting with the introduction of wedgelets [7] and ridgelets [2], it was recognized that to achieve sparser representations of multidimensional data, one has to consider representation systems with ability to deal with anisotropic features much more efficiently than traditional wavelets. The construction of the system of curvelets [3] can be considered a breakthrough in this direction, since it was the first non-adaptive representation to be proved to provide (nearly) optimal approximations for a large class of images. Curvelets are a collection of analyzing functions defined not only at various scales and locations as wavelets do, but also at various orientations, with the number of orientations increasing at finer scales. Another fundamental property is that their supports are highly anisotropic, and this also plays a fundamental role in their approximation properties. However, the curvelet construction has a number of drawbacks. In particular, this system is not singly generated, i.e., it is not derived from the action of countably many operators applied to a single (or finite set) of generating functions. In addition, its construction involves rotations and these operators do not preserve the digital lattice, which prevents a direct transition from the continuum to the digital setting.

The *shearlets*, originally introduced by the authors and their collaborators in [13, 29], provide an alternative approach to the construction of sparse and efficient multidimensional representations, which overcomes the main drawbacks of the curvelet representation. In fact, shearlets were derived from the framework of

wavelets with composite dilations, a method introduced to provide a truly multivariate extension of the wavelet framework through the use of affine transformations [20, 21, 22]. In this approach, the shearlet system is obtained by applying a countable collection of operators to a single or finite set of generators. In particular, the directional selectivity of the system is controlled through the use of shearing matrices. This is another fundamental difference with respect to curvelets, since the shear matrices preserve the integer lattice and this allows the shearlet systems to provide a unified treatment of the continuum and digital setting. These properties and the special flexibility of the shearlet framework have made this approach very successful both as a theoretical and a applicable tool (see, for example, publications [5, 8, 14, 16, 19, 25, 28] for the main theoretical results, and [4, 9, 10, 11, 28, 31, 32] for some applications).

In this paper, we introduce a new construction which allows us to obtain smooth Parseval frame of shearlets for  $L^2(\mathbb{R}^D)$ ; specifically, all elements of these new shearlet systems are  $C^\infty$  and compactly supported in the frequency domain, hence ensuring that they are well localized. This new approach overcomes an outstanding problem concerning the construction of well localized Parseval frames of shearlets in  $L^2(\mathbb{R}^D)$ . In fact, the standard construction of reproducing shearlet systems produces smooth Parseval frames of shearlets defined only over certain proper subspaces of  $L^2$ ; when shearlet systems associated to these subspaces are combined to obtain a reproducing system for the whole  $L^2$  space, either the tightness of the system is lost (e.g., the enlarged shearlet system is a non-tight frame of  $L^2(\mathbb{R}^D)$ ) or the system loses its spatial localization since the enlarged shearlet system is a Parseval frame of  $L^2(\mathbb{R}^D)$ , but not all of its elements are well localized. This new construction is especially relevant since the new smooth Parseval frames of shearlets for  $L^2(\mathbb{R}^D)$  introduced in this paper offer the appropriate representation methods needed to provide highly sparse approximations for a large class of multidimensional data. In particular, for  $D = 3$ , this new smooth Parseval frame of shearlets provides nearly optimally sparse approximations piecewise  $C^2$  functions in  $L^2(\mathbb{R}^3)$  [17, 18].

## 1.1 Shearlet representations

In order to better explain the significance of the new construction presented in this paper, let us recall the main ideas of the traditional shearlet construction in dimension  $D = 2$  (cf. [14, 29]). For an appropriate  $\gamma \in L^2(\mathbb{R}^2)$ , a system of shearlets is defined as a collection of functions of the form

$$\left\{ \gamma_{j,\ell,k}(x) = |\det A_{(1)}|^{j/2} \gamma(B_{(1)}^\ell A_{(1)}^j x - k) : j, \ell \in \mathbb{Z}, k \in \mathbb{Z}^2 \right\}, \quad (1.1)$$

where

$$A_{(1)} = \begin{pmatrix} 4 & 0 \\ 0 & 2 \end{pmatrix}, \quad B_{(1)} = \begin{pmatrix} 1 & 1 \\ 0 & 1 \end{pmatrix}. \quad (1.2)$$

Notice that the matrix  $A_{(1)}$  is a dilation matrix whose integer powers produce anisotropic dilations and, more specifically, *parabolic scaling* dilations similar to those used in the curvelet construction; the *shearing* matrix  $B_{(1)}$  is non-expanding and its integer powers control the directional features of the shearlet system. The generator function  $\gamma$  is defined in the frequency domain as

$$\hat{\gamma}(\xi) = \hat{\gamma}(\xi_1, \xi_2) = w(\xi_1) v\left(\frac{\xi_2}{\xi_1}\right),$$

and it is possible to choose functions  $w, v \in C_c^\infty(\mathbb{R})$  so that the corresponding system (1.1) is a Parseval frame of  $L^2(\mathbb{R}^2)$ . As a result, the system (1.1) forms a Parseval frame of waveforms defined at various scales, orientations and locations, controlled by  $j$ ,  $\ell$ , and  $k$ , respectively.

Despite its simplicity, however, the shearlet system derived from this construction has a directional bias, due to the fact that the shearing matrices  $B_{(1)}^\ell$  produce elements whose support is increasingly more elongated along the vertical axis, in the Fourier domain, as  $|\ell|$  increases (see illustration in Fig. 1(a)). This directional bias affects negatively the approximation properties of the system (1.1) and makes it impractical in most applications. Hence, to avoid this problem, the shearlet system is usually modified by: (i) restricting the shearing parameter  $\ell$  so that the frequency support of the shearlet system (1.1) is contained inside the cone

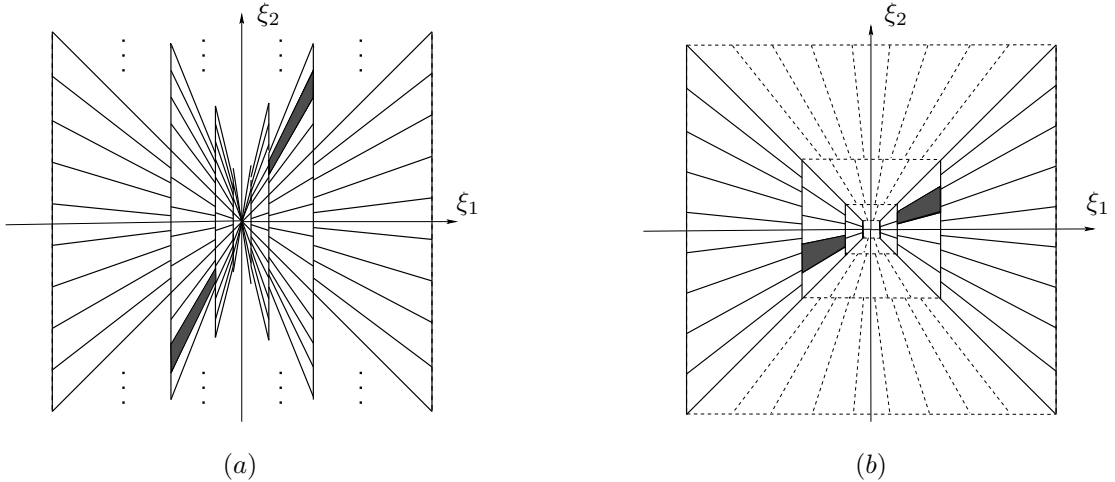


Figure 1: *The tiling of the frequency plane produced by: (a) a singly generated horizontal shearlet system; (b) two cone-based systems of horizontal and vertical shearlets.*

$|\frac{\xi_2}{\xi_1}| \leq 1$ , and (ii) adding a second shearlet system which is rotated by  $\pi/2$  with respect to the first one. That is, for  $d = 1, 2$ , one defines the cone-based shearlet systems

$$\{\gamma_{j,\ell,k}^{(d)} = |\det A_{(d)}|^{-j/2} \gamma^{(d)}(B_{(d)}^\ell A_{(d)}^j x - k), \quad j \geq 0, |\ell| \leq 2^j, k \in \mathbb{Z}^2\}, \quad (1.3)$$

where  $A_{(2)} = \begin{pmatrix} 2 & 0 \\ 0 & 4 \end{pmatrix}$ ,  $B_{(2)} = \begin{pmatrix} 1 & 0 \\ 1 & 1 \end{pmatrix}$ ,  $\gamma^{(1)} = \gamma$ ,  $\gamma^{(2)}$  is defined by  $\hat{\gamma}^{(2)}(\xi_1, \xi_2) = w(\xi_2) v(\frac{\xi_1}{\xi_2})$ , and the index  $d = 1, 2$  is associated with the horizontal and vertical truncated cone regions given by

$$\tilde{\mathcal{P}}_1 = \left\{ (\xi_1, \xi_2) \in \mathbb{R}^2 : \left| \frac{\xi_2}{\xi_1} \right| \leq 1, |\xi_1| \geq \frac{1}{8} \right\}, \tilde{\mathcal{P}}_2 = \left\{ (\xi_1, \xi_2) \in \mathbb{R}^2 : \left| \frac{\xi_2}{\xi_1} \right| > 1, |\xi_1| \geq \frac{1}{8} \right\}, \quad (1.4)$$

respectively. In fact, for each value of index  $d$ , one can show that the shearlet systems (1.3) are smooth Parseval frames of the subspace of  $L^2(\mathbb{R}^2)$  given by

$$L^2(\tilde{\mathcal{P}}_d)^\vee = \{f \in L^2(\mathbb{R}^2) : \text{supp } \hat{f} \subset \tilde{\mathcal{P}}_d\}.$$

In order to obtain a Parseval frame of shearlets of  $L^2(\mathbb{R}^2)$ , each of these systems is projected onto the subspaces  $L^2(\mathcal{P}_d)^\vee$ ,  $d = 1, 2$ ; in addition, a coarse scale system is included to take care of the low frequency region. That is, we obtain a *cone-based Parseval frame of shearlet* of  $L^2(\mathbb{R}^2)$  of the form

$$\{P_{\tilde{\mathcal{P}}_d} \gamma_{j,\ell,k}^{(d)} : j \geq 0, |\ell| \leq 2^j, k \in \mathbb{Z}^2, d = 1, 2\} \cup \{\Phi_k : k \in \mathbb{Z}^2\},$$

where  $P_{\tilde{\mathcal{P}}_d}$  is the orthogonal projection  $(P_{\tilde{\mathcal{P}}_d} h)^\wedge(\xi) = \hat{h}(\xi) \chi_{\tilde{\mathcal{P}}_d}(\xi)$  and  $\Phi$  is an appropriate band-limited function (cf. [13, 14]). As illustrated in Fig. 1(b), the cone-based shearlet system produces a tiling of the Fourier plane whose directional selectivity is much more uniform than the previous construction, and this makes this approach highly preferable in most situations<sup>1</sup>.

The outstanding issue in this cone-based construction is that the orthogonal projection operator has the effect of destroying the spatial localization properties of the shearlet elements whose frequency support overlaps the boundaries of the cone regions  $\tilde{\mathcal{P}}_1$  and  $\tilde{\mathcal{P}}_2$ . This is due to the fact that the boundary shearlet

<sup>1</sup>Note that the frequency tiling Fig. 1(b) is very similar to the one used by the contourlets [6], a purely discrete approach introduced as a discretization of curvelets

elements are truncated in the frequency domain. While one can preserve the continuity in the frequency domain, it is not possible to match the boundary elements so that also the smoothness is preserved.

As indicated above, in this paper we introduce a new shearlet construction which allows us to obtain smooth Parseval frame of shearlets for  $L^2(\mathbb{R}^D)$ ; specifically, all elements of these new shearlet systems are  $C^\infty$  and compactly supported in the frequency domain, hence ensuring that they are well localized. As will be discussed below in detail, this is obtained by slightly modifying the definition of the cone-based shearlets and by appropriately defining the shearlet elements whose frequency supports overlap the boundaries of the cone regions. This modified construction, which is rather saddle, becomes increasingly more complicated as the dimension  $D$  increases and is obtained at the expense of the affine structure of the system. That is, the new smooth Parseval frame of shearlets is not obtained from the action of a countable set of operators on a single or finite set of generators as in (1.3). Nevertheless, as will be clear below, the new system is indeed finitely generated in the frequency domain (unlike curvelets). In fact, the new construction corresponds very nicely to what is needed for some digital implementations such as the one considered in [10], where the shearlet decomposition is derived directly in the discrete Fourier domain.

Before presenting our new construction, it is important we mention that an alternative solution for the construction of smooth reproducing shearlet systems for  $L^2(\mathbb{R}^D)$  consists in weakening the requirement that the Parseval frame condition is satisfied and considering band-limited shearlet frames which are not tight frames, as were recently proposed in [12] (where similar dual frames are also constructed). Finally, we recall that there is a very different approach to the construction of shearlet systems, recently introduced in [23, 27, 26], which produces well localized *compactly supported* frames of shearlets, where the frames are not tight. It is an open problem whether Parseval frames of such compactly supported systems of shearlets exist.

The paper is organized as follows. In Sec. 2, we introduce the new systems of shearlets in dimension  $D = 2$  and show that they produce smooth Parseval frames of  $L^2(\mathbb{R}^2)$ . In Sec. 3, we extend this construction to dimension  $D = 3$ . This construction is significantly more complicated, due to the need to define different types of boundary shearlet functions. In Sec. 4, we briefly describe how the new shearlet construction extends to higher dimensions  $D$ . In Sec. 5, we recall a notion of shearlet molecules previously introduced by the authors and show that the new shearlets are also shearlet molecules. This is useful to provide an additional insight into the close relationship between the new and old shearlet constructions.

## 2 A new shearlet construction ( $D = 2$ )

We start with the construction of a smooth Parseval frame of shearlets for  $L^2(\mathbb{R}^2)$ .

Let  $\phi$  be a  $C^\infty$  univariate function such that  $0 \leq \hat{\phi} \leq 1$ ,  $\hat{\phi} = 1$  on  $[-\frac{1}{16}, \frac{1}{16}]$  and  $\hat{\phi} = 0$  outside the interval  $[-\frac{1}{8}, \frac{1}{8}]$ . That is,  $\phi$  is the scaling function of a Meyer wavelet, rescaled so that its frequency support is contained the interval  $[-\frac{1}{8}, \frac{1}{8}]$ .

For  $\xi = (\xi_1, \xi_2) \in \mathbb{R}^2$ , let

$$\hat{\Phi}(\xi) = \hat{\Phi}(\xi_1, \xi_2) = \hat{\phi}(\xi_1) \hat{\phi}(\xi_2) \quad (2.5)$$

and

$$W(\xi) = W(\xi_1, \xi_2) = \sqrt{\hat{\Phi}^2(2^{-2}\xi_1, 2^{-2}\xi_2) - \hat{\Phi}^2(\xi_1, \xi_2)}.$$

It follows that

$$\hat{\Phi}^2(\xi_1, \xi_2) + \sum_{j \geq 0} W^2(2^{-2j}\xi_1, 2^{-2j}\xi_2) = 1 \quad \text{for } (\xi_1, \xi_2) \in \mathbb{R}^2. \quad (2.6)$$

Notice that each function  $W_j^2 = W^2(2^{-2j}\cdot)$  has support into the Cartesian corona

$$C_j = [-2^{2j-1}, 2^{2j-1}]^2 \setminus [-2^{2j-4}, 2^{2j-4}]^2.$$

In particular, the functions  $W_j^2$ ,  $j \geq 0$ , produce a smooth tiling of the frequency plane into Cartesian coroneae:

$$\sum_{j \geq 0} W^2(2^{-2j}\xi) = 1 \quad \text{for } \xi \in \mathbb{R}^2 \setminus [-\frac{1}{8}, \frac{1}{8}]^2 \subset \mathbb{R}^2. \quad (2.7)$$

Next, let  $v \in C^\infty(\mathbb{R})$  be chosen so that  $\text{supp } v \subset [-1, 1]$  and

$$|v(u-1)|^2 + |v(u)|^2 + |v(u+1)|^2 = 1 \quad \text{for } |u| \leq 1. \quad (2.8)$$

In addition, we will assume that  $v(0) = 1$  and that  $v^{(n)}(0) = 0$  for all  $n \geq 1$ . It was shown in [14] that there are several examples of functions satisfying these properties. It follows from equation (2.8) that, for any  $j \geq 0$ ,

$$\sum_{m=-2^j}^{2^j} |v(2^j u - m)|^2 = 1, \quad \text{for } |u| \leq 1. \quad (2.9)$$

For  $\xi = (\xi_1, \xi_2) \in \mathbb{R}^2$  and  $V_{(1)}(\xi_1, \xi_2) = v(\frac{\xi_2}{\xi_1})$ , the *horizontal shearlet system* for  $L^2(\mathbb{R}^2)$  is defined as the countable collection of functions

$$\{\psi_{j,\ell,k}^{(1)} : j \geq 0, -2^j \leq \ell \leq 2^j, k \in \mathbb{Z}^2\}, \quad (2.10)$$

where

$$\hat{\psi}_{j,\ell,k}^{(1)}(\xi) = |\det A_{(1)}|^{-j/2} W(2^{-2j}\xi) V_{(1)}(\xi A_{(1)}^{-j} B_{(1)}^{-\ell}) e^{2\pi i \xi A_{(1)}^{-j} B_{(1)}^{-\ell} k}, \quad (2.11)$$

and  $A_{(1)}, B_{(1)}$  are given by (1.2). The term *horizontal* refers to the fact that the elements of this system (except for  $\ell = \pm 2^j$ ) have frequency support contained inside the horizontal cone  $\tilde{\mathcal{P}}_1$ , given by (1.4) and that, as will be shown below, the system (2.10) forms a Parseval frame for the  $L^2(\tilde{\mathcal{P}}_1)^\vee$ .

**Remark.** The new shearlet system (2.10) has virtually the same spatial-frequency interpretation as the “standard” system of shearlets (1.1) whose elements, in the Fourier domain, can be written as

$$\hat{\gamma}_{j,\ell,k}(\xi) = |\det A_{(1)}|^{-j/2} w(2^{-2j}\xi_1) V_{(1)}(\xi A_{(1)}^{-j} B_{(1)}^{-\ell}) e^{2\pi i \xi A_{(1)}^{-j} B_{(1)}^{-\ell} k}, \quad (2.12)$$

where  $w$  is a one-dimensional Meyer wavelet with frequency support in  $[-\frac{1}{2}, \frac{1}{2}] \setminus [-\frac{1}{16}, \frac{1}{16}]$ . In fact, both the functions  $\hat{\gamma}_{j,\ell,k}$ , given by (2.12), and the elements  $\hat{\psi}_{j,\ell,k}^{(1)}$ , given by (2.10), are supported inside the trapezoidal regions

$$\{(\xi_1, \xi_2) : \xi_1 \in [-2^{2j-1}, -2^{2j-4}] \cup [2^{2j-4}, 2^{2j-1}], |\frac{\xi_2}{\xi_1} - \ell 2^{-j}| \leq 2^{-j}\}$$

in the Fourier plane, so that they produce the same frequency tiling. However, due to the shear-invariance of the function  $w$ , the system of shearlets  $\{\gamma_{j,\ell,k}\}$  is affine-like. In fact, we have that

$$\hat{\gamma}_{j,\ell,k}(\xi) = |\det A_{(1)}|^{-j/2} \hat{\gamma}(\xi A_{(1)}^{-j} B_{(1)}^{-\ell}) e^{2\pi i \xi A_{(1)}^{-j} B_{(1)}^{-\ell} k},$$

where  $\hat{\gamma}$  is the function  $\hat{\gamma} = wV$ , so that in space domain they produce the system (1.1).

By contrast, the new system of shearlets (2.10) is not affine-like. In the space domain, its elements are of the form

$$\psi_{j,\ell,k}(x) = |\det A_{(1)}|^{j/2} \psi_{j,\ell}(B_{(1)}^\ell A_{(1)}^j x - k),$$

where

$$\hat{\psi}_{j,\ell}(\xi) = W(2^{-2j}\xi B_{(1)}^\ell A_{(1)}^j) V(\xi).$$

As the expression above shows, the function  $W$  is not shear-invariant. On the other hand, as we will show below, the new definition will allow us to construct a smooth cone-based Parseval frame of shearlets not only for certain proper subspaces of  $L^2(\mathbb{R}^2)$  but for the whole space  $L^2(\mathbb{R}^2)$ , whereas this is not possible using the affine-like shearlet construction.

We first show that the system of shearlets (2.10) is a Parseval frame for  $L^2(\tilde{\mathcal{P}}_1)^\vee$ . Notice that this result is similar to the one valid for the affine-like shearlet system (1.3).

**Proposition 2.1.** *The system of shearlets (2.10) is a Parseval frame for  $L^2(\tilde{\mathcal{P}}_1)^\vee$ .*

**Proof.** Notice that

$$(\xi_1, \xi_2) A_{(1)}^{-j} B_{(1)}^{-\ell} = (2^{-2j} \xi_1, 2^{-j} \xi_2 - \ell 2^{-2j} \xi_1).$$

Hence, we can write the elements of the system of shearlets (2.10) as

$$\hat{\psi}_{j,\ell,k}^{(1)}(\xi_1, \xi_2) = 2^{-\frac{3}{2}j} W(2^{-2j} \xi_1, 2^{-2j} \xi_2) v\left(2^j \frac{\xi_2}{\xi_1} - \ell\right) e^{2\pi i \xi A_{(1)}^{-j} B_{(1)}^{-\ell} k}.$$

Let  $f \in L^2(\tilde{\mathcal{P}}_1)^\vee$ . Using the change of variable  $\eta = \xi A_{(1)}^{-j} B_{(1)}^{-\ell}$  and the notation  $Q = [-\frac{1}{2}, \frac{1}{2}]^2$ , we have:

$$\begin{aligned} & \sum_{j \geq 0} \sum_{\ell = -2^j}^{2^j} \sum_{k \in \mathbb{Z}^2} |\langle \hat{f}, \hat{\psi}_{j,\ell,k}^{(1)} \rangle|^2 \\ &= \sum_{j \geq 0} \sum_{\ell = -2^j}^{2^j} \sum_{k \in \mathbb{Z}^2} \left| \int_{\mathbb{R}^2} 2^{-\frac{3}{2}j} \hat{f}(\xi) W(2^{-2j} \xi_1, 2^{-2j} \xi_2) v\left(2^j \frac{\xi_2}{\xi_1} - \ell\right) e^{2\pi i \xi A_{(1)}^{-j} B_{(1)}^{-\ell} k} d\xi \right|^2 \\ &= \sum_{j \geq 0} \sum_{\ell = -2^j}^{2^j} \sum_{k \in \mathbb{Z}^2} \left| \int_Q 2^{\frac{3}{2}j} \hat{f}(\eta B_{(1)}^\ell A_{(1)}^j) W(\eta_1, 2^{-j}(\eta_2 + \ell \eta_1)) v\left(\frac{\eta_2}{\eta_1}\right) e^{2\pi i \eta k} d\eta \right|^2 \\ &= \sum_{j \geq 0} \sum_{\ell = -2^j}^{2^j} \int_Q 2^{3j} |\hat{f}(\eta B_{(1)}^\ell A_{(1)}^j)|^2 |W(\eta_1, 2^{-j}(\eta_2 + \ell \eta_1))|^2 |v\left(\frac{\eta_2}{\eta_1}\right)|^2 d\eta \\ &= \sum_{j \geq 0} \sum_{\ell = -2^j}^{2^j} \int_{\mathbb{R}^2} |\hat{f}(\xi)|^2 |W(2^{-2j} \xi_1, 2^{-2j} \xi_2)|^2 |v\left(2^j \frac{\xi_2}{\xi_1} - \ell\right)|^2 d\xi \\ &= \int_{\mathbb{R}^2} |\hat{f}(\xi)|^2 \sum_{j \geq 0} \sum_{\ell = -2^j}^{2^j} |W(2^{-2j} \xi_1, 2^{-2j} \xi_2)|^2 |v\left(2^j \frac{\xi_2}{\xi_1} - \ell\right)|^2 d\xi. \end{aligned}$$

In the computation above, we have used the fact that the function

$$W(\eta_1, 2^{-j}(\eta_2 + \ell \eta_1)) v\left(\frac{\eta_2}{\eta_1}\right)$$

is supported inside  $Q$  since  $v\left(\frac{\eta_2}{\eta_1}\right)$  is supported inside the cone  $|\frac{\eta_2}{\eta_1}| \leq 1$  and  $W(\eta_1, 2^{-j}(\eta_2 + \ell \eta_1))$  is supported inside the strip  $|\eta_1| \leq \frac{1}{2}$ .

Finally, using (2.7) and (2.9) it follows that

$$\begin{aligned} \sum_{j \geq 0} \sum_{\ell = -2^j}^{2^j} |W(2^{-2j} \xi_1, 2^{-2j} \xi_2)|^2 |v\left(2^j \frac{\xi_2}{\xi_1} - \ell\right)|^2 &= \sum_{j \geq 0} |W(2^{-2j} \xi_1, 2^{-2j} \xi_2)|^2 \sum_{\ell = -2^j}^{2^j} |v\left(2^j \frac{\xi_2}{\xi_1} - \ell\right)|^2 \\ &= \sum_{j \geq 0} |W(2^{-2j} \xi_1, 2^{-2j} \xi_2)|^2 = 1 \text{ for } (\xi_1, \xi_2) \in \tilde{\mathcal{P}}_1. \end{aligned}$$

Thus, we conclude that, for each  $f \in L^2(\tilde{\mathcal{P}}_1)^\vee$ , we have:

$$\sum_{j \geq 0} \sum_{\ell = -2^j}^{2^j} \sum_{k \in \mathbb{Z}^2} |\langle f, \hat{\psi}_{j,\ell,k}^{(1)}(\xi_1, \xi_2) \rangle|^2 = \|f\|^2. \quad \square$$

A similar construction yields a Parseval frame for  $L^2(\tilde{\mathcal{P}}_2)^\vee$ , where  $\tilde{\mathcal{P}}_2$  is given by (1.4). Namely, let

$$\{\psi_{j,\ell,k}^{(2)} : j \geq 0, -2^j \leq \ell \leq 2^j, k \in \mathbb{Z}^2\}, \quad (2.13)$$

where

$$\hat{\psi}_{j,\ell,k}^{(2)}(\xi) = |\det A_{(2)}|^{-j/2} W(2^{-2j}\xi) V_{(2)}(\xi A_{(2)}^{-j} B_{(2)}^{-\ell}) e^{2\pi i \xi A_{(2)}^{-j} B_{(2)}^{-\ell} k}, \quad (2.14)$$

$A_{(2)} = \begin{pmatrix} 2 & 0 \\ 0 & 4 \end{pmatrix}$ ,  $B_{(2)} = \begin{pmatrix} 1 & 0 \\ 1 & 1 \end{pmatrix}$ ,  $V_{(2)}(\xi) = v\left(\frac{\xi_1}{\xi_2}\right)$ . Then a very similar argument to the one above gives:

**Proposition 2.2.** *The system of shearlets (2.13) is a Parseval frame for  $L^2(\tilde{\mathcal{P}}_2)^\vee$ .*

## 2.1 A smooth Parseval frame of shearlets for $L^2(\mathbb{R}^2)$

We will obtain a smooth Parseval frame of shearlets for  $L^2(\mathbb{R}^2)$  using an appropriate combinations of the horizontal and vertical systems of shearlets together with a coarse scale system, which will take care of the low frequency region. To ensure that all elements of this combined shearlet system are  $C_c^\infty$  in the frequency domain, those elements overlapping the boundaries of the cone regions in the frequency domain will be appropriately modified <sup>2</sup>.

In the following, we will use the notation:

$$\mathcal{P}_1 = \left\{ (\xi_1, \xi_2) \in \mathbb{R}^2 : \left| \frac{\xi_2}{\xi_1} \right| \leq 1 \right\}, \mathcal{P}_2 = \left\{ (\xi_1, \xi_2) \in \mathbb{R}^2 : \left| \frac{\xi_2}{\xi_1} \right| > 1 \right\}.$$

The new *shearlet system* for  $L^2(\mathbb{R}^2)$  is given by

$$\left\{ \tilde{\psi}_{-1,k} : k \in \mathbb{Z}^2 \right\} \cup \left\{ \tilde{\psi}_{j,\ell,k,d} : j \geq 0, |\ell| < 2^j, k \in \mathbb{Z}^2, d = 1, 2 \right\} \cup \left\{ \tilde{\psi}_{j,\ell,k} : j \geq 0, \ell = \pm 2^j, k \in \mathbb{Z}^2 \right\}, \quad (2.15)$$

consisting of:

- the *coarse-scale shearlets*  $\{\tilde{\psi}_{-1,k} = \Phi(\cdot - k) : k \in \mathbb{Z}^2\}$ , where  $\Phi$  is given by (2.5);
- the *interior shearlets*  $\{\tilde{\psi}_{j,\ell,k,d} = \psi_{j,\ell,k}^{(d)} : j \geq 0, |\ell| < 2^j, k \in \mathbb{Z}^2, d = 1, 2\}$ , where the functions  $\psi_{j,\ell,k}^{(d)}$  are given by (2.11),(2.14);
- the *boundary shearlets*  $\{\tilde{\psi}_{j,\ell,k} : j \geq 0, \ell = \pm 2^j, k \in \mathbb{Z}^2\}$ , obtained by joining together slightly modified versions of  $\psi_{j,\ell,k}^{(1)}$  and  $\psi_{j,\ell,k}^{(2)}$ , for  $\ell = \pm 2^j$ , after that they have been restricted in the Fourier domain to the cones  $\mathcal{P}_1$  and  $\mathcal{P}_2$ , respectively. The precise definition is given below.

For  $j \geq 1$ ,  $\ell = \pm 2^j$ ,  $k \in \mathbb{Z}^2$ , we define

$$(\tilde{\psi}_{j,\ell,k})^\wedge(\xi) = \begin{cases} 2^{-\frac{3}{2}j - \frac{1}{2}} W(2^{-2j}\xi_1, 2^{-2j}\xi_2) v\left(2^j \frac{\xi_2}{\xi_1} - \ell\right) e^{2\pi i \xi 2^{-1} A_{(1)}^{-j} B_{(1)}^{-\ell} k}, & \text{if } \xi \in \mathcal{P}_1 \\ 2^{-\frac{3}{2}j - \frac{1}{2}} W(2^{-2j}\xi_1, 2^{-2j}\xi_2) v\left(2^j \frac{\xi_1}{\xi_2} - \ell\right) e^{2\pi i \xi 2^{-1} A_{(1)}^{-j} B_{(1)}^{-\ell} k}, & \text{if } \xi \in \mathcal{P}_2. \end{cases}$$

For  $j = 0$ ,  $k \in \mathbb{Z}^2$ ,  $\ell = \pm 1$ , we define

$$(\tilde{\psi}_{0,\ell,k})^\wedge(\xi) = \begin{cases} W(\xi_1, \xi_2) v\left(\frac{\xi_2}{\xi_1} - \ell\right) e^{2\pi i \xi k}, & \text{if } \xi \in \mathcal{P}_1 \\ W(\xi_1, \xi_2) v\left(\frac{\xi_1}{\xi_2} - \ell\right) e^{2\pi i \xi k}, & \text{if } \xi \in \mathcal{P}_2. \end{cases}$$

Notice that the boundary shearlets  $\{\tilde{\psi}_{j,\ell,k} : j \geq 0, \ell = \pm 2^j, k \in \mathbb{Z}^2\}$  are compactly supported and  $C^\infty$  functions in the frequency domain. In fact, the support condition follows trivially from the definition. To show that  $(\tilde{\psi}_{j,\ell,k})^\wedge$  is continuous, it is easy to verify that the two terms of the piecewise defined function

<sup>2</sup>As it will be clear from the calculations below, this modification of the boundary elements produces the desired smooth Parseval frame of shearlets; the same modification would not produce the same result using the systems (1.3).

are equal for  $\xi_1 = \pm\xi_2$ . The smoothness is similarly verified that checking the derivatives of these functions along the lines  $\xi_1 = \pm\xi_2$ . Specifically, for the functions  $(\tilde{\psi}_{j,2^j,k})^\wedge$ , we have that

$$\begin{aligned}
& \frac{\partial}{\partial \xi_1} [W(2^{-2j}\xi) v\left(2^j\left(\frac{\xi_2}{\xi_1} - 1\right)\right) e^{2\pi i \xi 2^{-1} A_{(1)}^{-j} B_{(1)}^{-\ell} k}]|_{\xi_2=\xi_1} \\
&= 2^{-2j} \frac{\partial W}{\partial \xi_1}(2^{-2j}\xi_1, 2^{-2j}\xi_1) v(0) e^{2\pi i 2^{-2j-1}\xi_1 k_1} \\
&\quad - \frac{2^j}{\xi_1} W(2^{-2j}\xi_1, 2^{-2j}\xi_1) v'(0) e^{2\pi i 2^{-2j-1}\xi_1 k_1} \\
&\quad + 2\pi i (2^{-2j-1}k_1 - 2^{-j-1}k_2) W(2^{-2j}\xi_1, 2^{-2j}\xi_1) v(0) e^{2\pi i 2^{-2j-1}\xi_1 k_1}; \\
& \\
& \frac{\partial}{\partial \xi_1} [W(2^{-2j}\xi) v\left(2^j\left(\frac{\xi_1}{\xi_2} - 1\right)\right) e^{2\pi i \xi 2^{-1} A_{(1)}^{-j} B_{(1)}^{-\ell} k}]|_{\xi_2=\xi_1} \\
&= 2^{-2j} \frac{\partial W}{\partial \xi_1}(2^{-2j}\xi_1, 2^{-2j}\xi_1) v(0) e^{2\pi i 2^{-2j-1}\xi_1 k_1} \\
&\quad + \frac{2^j}{\xi_1} W(2^{-2j}\xi_1, 2^{-2j}\xi_1) v'(0) e^{2\pi i 2^{-2j-1}\xi_1 k_1} \\
&\quad + 2\pi i (2^{-2j-1}k_1 - 2^{-j-1}k_2) W(2^{-2j}\xi_1, 2^{-2j}\xi_1) v(0) e^{2\pi i 2^{-2j-1}\xi_1 k_1}.
\end{aligned}$$

Since  $v'(0) = 0$ , the two partial derivatives above agree for  $\xi_1 = \xi_2$ . A very similar calculation shows that also the partial derivatives with respect to  $\xi_2$  also agree for  $\xi_1 = \xi_2$ . This observation can be repeated for higher order derivatives since  $v^{(n)}(0) = 0$  for all  $n \geq 1$ , implying that the functions  $(\tilde{\psi}_{j,2^j,k})^\wedge$  are infinitely differentiable. The same observation holds for the functions  $(\tilde{\psi}_{j,-2^j,k})^\wedge$ .

We can now prove that we obtain a smooth Parseval frame for  $L^2(\mathbb{R}^2)$ .

**Theorem 2.3.** *The system of shearlets (2.15) is a Parseval frame for  $L^2(\mathbb{R}^2)$ . In addition, the elements of this system are  $C^\infty$  and compactly supported in the Fourier domain.*

**Proof.** The smoothness and compact support of the coarse-scale and interior shearlets in the Fourier domain follow directly from the definition. The smoothness and support conditions of the boundary shearlet elements have been discussed above. Hence, it only remains to show that the system of shearlets (2.15) is a Parseval frame of  $L^2(\mathbb{R}^2)$ .

We start by examining the tiling properties of the boundary elements for  $\{\tilde{\psi}_{j,2^j,k} : j \geq 1, k \in \mathbb{Z}^2\}$ . For any  $f \in L^2(\mathbb{R}^2)$ , we have:

$$\begin{aligned}
& \sum_{k \in \mathbb{Z}^2} |\langle \hat{f}, (\tilde{\psi}_{j,2^j,k})^\wedge \rangle|^2 \\
&= \sum_{k \in \mathbb{Z}^2} \left| \int_{\mathcal{P}_1} 2^{-\frac{3}{2}j - \frac{1}{2}} \hat{f}(\xi) W(2^{-2j}\xi_1, 2^{-2j}\xi_2) v\left(2^j\left(\frac{\xi_2}{\xi_1} - 1\right)\right) e^{2\pi i \xi 2^{-1} A_{(1)}^{-j} B_{(1)}^{(-2^j)k}} d\xi \right|^2 \\
&+ \sum_{k \in \mathbb{Z}^2} \left| \int_{\mathcal{P}_2} 2^{-\frac{3}{2}j - \frac{1}{2}} \hat{f}(\xi) W(2^{-2j}\xi_1, 2^{-2j}\xi_2) v\left(2^j\left(\frac{\xi_1}{\xi_2} - 1\right)\right) e^{2\pi i \xi 2^{-1} A_{(1)}^{-j} B_{(1)}^{(-2^j)k}} d\xi \right|^2. \quad (2.16)
\end{aligned}$$

We will use the change of variable  $\eta = \xi 2^{-1} A_{(1)}^{-j} B_{(1)}^{-2^j}$ . Hence, for  $\eta = (\eta_1, \eta_2)$ , we have that  $\xi = 2\eta B_{(1)}^{2^j} A_{(1)}^j = (2^{2j+1}\eta_1, 2^{2j+1}\eta_1 + 2^{j+1}\eta_2)$ . Using this variable change, we obtain that

$$v\left(2^j\frac{\xi_2}{\xi_1} - 2^j\right) = v\left(\frac{\eta_2}{\eta_1}\right),$$



$$v\left(2^j \frac{\xi_1}{\xi_2} - 2^j\right) = v\left(2^j \frac{2^{2j+1}\eta_1}{2^{2j+1}\eta_1 + 2^{j+1}\eta_2} - 2^j\right) = v\left(\frac{-\eta_2}{\eta_1 + 2^{-j}\eta_2}\right),$$

$$W(2^{-2j}\xi_1, 2^{-2j}\xi_2) = W(2\eta_1, 2^{-j+1}(\eta_2 + 2^j\eta_1)).$$

By the conditions on the support of  $v$  and  $W$ , it follows that  $v\left(\frac{\eta_2}{\eta_1}\right)$  is supported inside the region  $|\frac{\eta_2}{\eta_1}| \leq 1$  and  $W(2\eta_1, 2^{-j+1}(\eta_2 + 2^j\eta_1))$  is supported inside the region  $|\eta_1| \leq \frac{1}{4}$ . Thus, the function

$$\Gamma_{1,j}(\eta_1, \eta_2) = W(2\eta_1, 2^{-j+1}(\eta_2 + 2^j\eta_1)) v\left(\frac{\eta_2}{\eta_1}\right)$$

is supported inside  $Q$ . Next consider the function

$$\Gamma_{2,j}(\eta_1, \eta_2) = W(2\eta_1, 2^{-j+1}(\eta_2 + 2^j\eta_1)) v\left(\frac{-\eta_2}{\eta_1 + 2^{-j}\eta_2}\right).$$

Similar to the case above, the assumption on the support of  $W$  implies that  $\Gamma_{2,j}$  is supported inside the region  $|\eta_1| \leq \frac{1}{4}$ . In addition, the support condition of  $v$  implies that, for  $j \geq 1$ ,

$$\left|\frac{\eta_2}{\eta_1 + 2^{-j}\eta_2}\right| \leq 1.$$

It follows that

$$\left|\frac{\eta_2}{\eta_1}\right| \leq \left|1 + 2^{-j}\frac{\eta_2}{\eta_1}\right| \leq 1 + 2^{-j}\left|\frac{\eta_2}{\eta_1}\right|,$$

so that

$$(1 - 2^{-j})\left|\frac{\eta_2}{\eta_1}\right| \leq 1,$$

and finally

$$\left|\frac{\eta_2}{\eta_1}\right| \leq (1 - 2^{-j})^{-1} \leq 2 \quad \text{since } j \geq 1.$$

This shows that, if  $|\eta_1| \leq \frac{1}{4}$ , then  $|\eta_2| \leq 2|\eta_1| \leq \frac{1}{2}$ . Thus,  $\Gamma_{2,j}(\eta)$  is also supported inside  $Q$  for  $j \geq 1$ .

Using these observations, from (2.16) we have that, for  $j \geq 1$ :

$$\begin{aligned} & \sum_{k \in \mathbb{Z}^2} |\langle \hat{f}, (\tilde{\psi}_{j,2^j,k})^\wedge \rangle|^2 \\ &= \sum_{k \in \mathbb{Z}^2} \left| \int_{\mathcal{P}_1} 2^{-\frac{3}{2}j - \frac{1}{2}} \hat{f}(\xi) W(2^{-2j}\xi_1, 2^{-2j}\xi_2) v\left(2^j\left(\frac{\xi_2}{\xi_1} - 1\right)\right) e^{2\pi i \xi 2^{-1} A_{(1)}^{-j} B_{(1)}^{(-2j)} k} d\xi \right|^2 \\ &+ \sum_{k \in \mathbb{Z}^2} \left| \int_{\mathcal{P}_2} 2^{-\frac{3}{2}j - \frac{1}{2}} \hat{f}(\xi) W(2^{-2j}\xi_1, 2^{-2j}\xi_2) v\left(2^j\left(\frac{\xi_1}{\xi_2} - 1\right)\right) e^{2\pi i \xi 2^{-1} A_{(1)}^{-j} B_{(1)}^{(-2j)} k} d\xi \right|^2 \\ &= \sum_{k \in \mathbb{Z}^2} \left| \int_Q 2^{\frac{3}{2}j + \frac{1}{2}} \hat{f}(2\eta B_{(1)}^{2j} A_{(1)}^j) W(2\eta_1, 2^{-j+1}(\eta_2 + 2^j\eta_1)) v\left(\frac{\eta_2}{\eta_1}\right) e^{2\pi i \eta k} d\eta \right|^2 \\ &+ \sum_{k \in \mathbb{Z}^2} \left| \int_Q 2^{\frac{3}{2}j + \frac{1}{2}} \hat{f}(2\eta B_{(1)}^{2j} A_{(1)}^j) W(2\eta_1, 2^{-j+1}(\eta_2 + 2^j\eta_1)) v\left(\frac{-\eta_2}{\eta_1 + 2^{-j}\eta_2}\right) e^{2\pi i \eta k} d\eta \right|^2 \\ &= \int_{\mathcal{P}_1 2^{-1} A_{(1)}^{-j} B_{(1)}^{(-2j)}} 2^{3j+1} |\hat{f}(2\eta B_{(1)}^\ell A_{(1)}^j)|^2 |W(2\eta_1, 2^{-j+1}(\eta_2 + 2^j\eta_1))|^2 |v\left(\frac{\eta_2}{\eta_1}\right)|^2 d\eta \\ &+ \int_{\mathcal{P}_2 2^{-1} A_{(1)}^{-j} B_{(1)}^{(-2j)}} 2^{3j+1} |\hat{f}(2\eta B_{(1)}^\ell A_{(1)}^j)|^2 |W(2\eta_1, 2^{-j+1}(\eta_2 + 2^j\eta_1))|^2 |v\left(\frac{-\eta_2}{\eta_1 + 2^{-j}\eta_2}\right)|^2 d\eta \end{aligned}$$

$$\begin{aligned}
&= \int_{\mathcal{P}_1} |\hat{f}(\xi)|^2 |W(2^{-2j}\xi_1, 2^{-2j}\xi_2)|^2 |v\left(2^j\left(\frac{\xi_2}{\xi_1} - 1\right)\right)|^2 d\xi \\
&+ \int_{\mathcal{P}_2} |\hat{f}(\xi)|^2 |W(2^{-2j}\xi_1, 2^{-2j}\xi_2)|^2 |v\left(2^j\left(\frac{\xi_1}{\xi_2} - 1\right)\right)|^2 d\xi.
\end{aligned} \tag{2.17}$$

For  $j = 0$  and  $\ell = 1$ , since  $\text{supp}(W) \subset Q$ , we have that

$$\begin{aligned}
&\sum_{k \in \mathbb{Z}^2} |\langle \hat{f}, (\tilde{\psi}_{0,1,k})^\wedge \rangle|^2 \\
&= \sum_{k \in \mathbb{Z}^2} \left| \int_{\mathcal{P}_1} \hat{f}(\xi) W(\xi_1, \xi_2) v\left(\frac{\xi_2}{\xi_1} - 1\right) e^{2\pi i \xi k} d\xi \right|^2 + \sum_{k \in \mathbb{Z}^2} \left| \int_{\mathcal{P}_2} \hat{f}(\xi) W(\xi_1, \xi_2) v\left(\frac{\xi_1}{\xi_2} - 1\right) e^{2\pi i \xi k} d\xi \right|^2 \\
&= \int_{\mathcal{P}_1} |\hat{f}(\xi)|^2 |W(\xi_1, \xi_2)|^2 |v\left(\frac{\xi_2}{\xi_1} - 1\right)|^2 d\xi + \int_{\mathcal{P}_2} |\hat{f}(\xi)|^2 |W(\xi_1, \xi_2)|^2 |v\left(\frac{\xi_1}{\xi_2} - 1\right)|^2 d\xi.
\end{aligned} \tag{2.18}$$

Using (2.17) and (2.18) into (2.16), we conclude that for any  $f \in L^2(\mathbb{R}^2)$

$$\begin{aligned}
&\sum_{j \geq 0} \sum_{k \in \mathbb{Z}^2} |\langle \hat{f}, (\tilde{\psi}_{j,2^j,k})^\wedge \rangle|^2 \\
&= \sum_{j \geq 0} \int_{\mathcal{P}_1} |\hat{f}(\xi)|^2 |W(2^{-2j}\xi_1, 2^{-2j}\xi_2)|^2 |v\left(2^j\left(\frac{\xi_2}{\xi_1} - 1\right)\right)|^2 d\xi \\
&+ \int_{\mathcal{P}_2} |\hat{f}(\xi)|^2 |W(2^{-2j}\xi_1, 2^{-2j}\xi_2)|^2 |v\left(2^j\left(\frac{\xi_1}{\xi_2} - 1\right)\right)|^2 d\xi.
\end{aligned}$$

An analogous result holds for the boundary elements  $(\tilde{\psi}_{j,-2^j,k})^\wedge$ .

Using the observations above and (2.9), we now have that for any  $f \in L^2(\mathbb{R}^2)$ :

$$\begin{aligned}
&\sum_{d=1}^2 \sum_{j \geq 0} \sum_{|\ell| < 2^j} \sum_{k \in \mathbb{Z}^2} |\langle f, \tilde{\psi}_{j,\ell,k,d} \rangle|^2 + \sum_{j \geq 0} \sum_{\ell = \pm 2^j} \sum_{k \in \mathbb{Z}^2} |\langle f, \tilde{\psi}_{j,\ell,k} \rangle|^2 \\
&= \sum_{j \geq 0} \sum_{|\ell| < 2^j} \sum_{k \in \mathbb{Z}^2} |\langle \hat{f}, \hat{\psi}_{j,\ell,k}^{(1)} \rangle|^2 + \sum_{j \geq 0} \sum_{|\ell| < 2^j} \sum_{k \in \mathbb{Z}^2} |\langle \hat{f}, \hat{\psi}_{j,\ell,k}^{(2)} \rangle|^2 + \sum_{j \geq 0} \sum_{\ell = \pm 2^j} \sum_{k \in \mathbb{Z}^2} |\langle f, (\tilde{\psi}_{j,\ell,k})^\wedge \rangle|^2 \\
&= \int_{\mathbb{R}^2} |\hat{f}(\xi)|^2 \sum_{j \geq 0} |W(2^{-2j}\xi)|^2 \left( \sum_{|\ell| < 2^j} |v\left(2^j\left(\frac{\xi_2}{\xi_1} - \ell\right)\right)|^2 + \sum_{|\ell| < 2^j} |v\left(2^j\left(\frac{\xi_1}{\xi_2} - \ell\right)\right)|^2 \right) d\xi \\
&+ \int_{\mathcal{P}_1} |\hat{f}(\xi)|^2 \sum_{j \geq 0} |W(2^{-2j}\xi)|^2 |v\left(2^j\left(\frac{\xi_1}{\xi_2} - 1\right)\right)|^2 d\xi \\
&+ \int_{\mathcal{P}_2} |\hat{f}(\xi)|^2 \sum_{j \geq 0} |W(2^{-2j}\xi)|^2 |v\left(2^j\left(\frac{\xi_1}{\xi_2} - 1\right)\right)|^2 d\xi \\
&+ \int_{\mathcal{P}_1} |\hat{f}(\xi)|^2 \sum_{j \geq 0} |W(2^{-2j}\xi)|^2 |v\left(2^j\left(\frac{\xi_1}{\xi_2} + 1\right)\right)|^2 d\xi \\
&+ \int_{\mathcal{P}_2} |\hat{f}(\xi)|^2 \sum_{j \geq 0} |W(2^{-2j}\xi)|^2 |v\left(2^j\left(\frac{\xi_1}{\xi_2} + 1\right)\right)|^2 d\xi \\
&= \int_{\mathbb{R}^2} |\hat{f}(\xi)|^2 \sum_{j \geq 0} |W(2^{-2j}\xi)|^2 \left( \sum_{|\ell| \leq 2^j} |v\left(2^j\left(\frac{\xi_2}{\xi_1} - \ell\right)\right)|^2 \chi_{\mathcal{P}_1}(\xi) + \sum_{|\ell| \leq 2^j} |v\left(2^j\left(\frac{\xi_1}{\xi_2} - \ell\right)\right)|^2 \chi_{\mathcal{P}_2}(\xi) \right) d\xi
\end{aligned}$$

$$= \int_{\mathbb{R}^2} |\hat{f}(\xi)|^2 \sum_{j \geq 0} |W(2^{-2j}\xi)|^2 d\xi$$

Finally, using (2.6), we have that for any  $f \in L^2(\mathbb{R}^2)$ :

$$\begin{aligned} & \sum_{k \in \mathbb{Z}^2} |\langle f, \tilde{\psi}_{-1,k} \rangle|^2 + \sum_{d=1}^2 \sum_{j \geq 0} \sum_{|\ell| < 2^j} \sum_{k \in \mathbb{Z}^2} |\langle f, \tilde{\psi}_{j,\ell,k,d} \rangle|^2 + \sum_{j \geq 0} \sum_{\ell = \pm 2^j} \sum_{k \in \mathbb{Z}^2} |\langle f, \tilde{\psi}_{j,\ell,k} \rangle|^2 \\ &= \int_{\mathbb{R}^2} |\hat{f}(\xi)|^2 |\Phi(\xi)|^2 d\xi + \int_{\mathbb{R}^2} |\hat{f}(\xi)|^2 \sum_{j \geq 0} |W(2^{-2j}\xi)|^2 d\xi \\ &= \int_{\mathbb{R}^2} |\hat{f}(\xi)|^2 \left( |\Phi(\xi)|^2 + \sum_{j \geq 0} |W(2^{-2j}\xi)|^2 \right) d\xi = \int_{\mathbb{R}^2} |\hat{f}(\xi)|^2 d\xi. \quad \square \end{aligned}$$

### 3 A new shearlet construction ( $D = 3$ )

In this section, we extend the construction presented above to  $D = 3$ . While the main ideas of the construction are similar to the 2D case, there are several technical additional difficulties, especially for what concerns the construction of the boundary shearlet elements.

As in the 2D case, let  $\phi$  be a  $C^\infty$  univariate function such that  $0 \leq \hat{\phi} \leq 1$ ,  $\hat{\phi} = 1$  on  $[-\frac{1}{16}, \frac{1}{16}]$  and  $\hat{\phi} = 0$  outside the interval  $[-\frac{1}{8}, \frac{1}{8}]$ . For  $\xi = (\xi_1, \xi_2, \xi_3) \in \mathbb{R}^3$ , define

$$\widehat{\Phi}(\xi) = \widehat{\Phi}(\xi_1, \xi_2, \xi_3) = \hat{\phi}(\xi_1) \hat{\phi}(\xi_2) \hat{\phi}(\xi_3) \quad (3.19)$$

and

$$W(\xi) = \sqrt{\widehat{\Phi}^2(2^{-2}\xi) - \widehat{\Phi}^2(\xi)}.$$

It follows that

$$\widehat{\Phi}^2(\xi) + \sum_{j \geq 0} W^2(2^{-2j}\xi) = 1 \text{ for } \xi \in \mathbb{R}^3. \quad (3.20)$$

Notice that each function  $W_j^2 = W^2(2^{-2j}\cdot)$  has support into the Cartesian corona

$$C_j = [-2^{2j-1}, 2^{2j-1}]^3 \setminus [-2^{2j-4}, 2^{2j-4}]^3 \subset \mathbb{R}^3.$$

The functions  $W_j^2$ ,  $j \geq 0$ , produce a smooth tiling of the frequency plane into Cartesian coroneae, where

$$\sum_{j \geq 0} W^2(2^{-2j}\xi) = 1 \text{ for } \xi \in \mathbb{R}^3 \setminus [-\frac{1}{8}, \frac{1}{8}]^3. \quad (3.21)$$

We will define 3 shearlet systems associated with the pyramidal regions

$$\mathcal{P}_1 = \left\{ (\xi_1, \xi_2, \xi_3) \in \mathbb{R}^3 : \left| \frac{\xi_2}{\xi_1} \right| \leq 1, \left| \frac{\xi_3}{\xi_1} \right| \leq 1 \right\},$$

$$\mathcal{P}_2 = \left\{ (\xi_1, \xi_2, \xi_3) \in \mathbb{R}^3 : \left| \frac{\xi_1}{\xi_2} \right| \leq 1, \left| \frac{\xi_3}{\xi_2} \right| \leq 1 \right\},$$

$$\mathcal{P}_3 = \left\{ (\xi_1, \xi_2, \xi_3) \in \mathbb{R}^3 : \left| \frac{\xi_1}{\xi_3} \right| \leq 1, \left| \frac{\xi_2}{\xi_3} \right| \leq 1 \right\}.$$

For that, let the anisotropic dilation matrices be given by

$$A_{(1)} = \begin{pmatrix} 4 & 0 & 0 \\ 0 & 2 & 0 \\ 0 & 0 & 2 \end{pmatrix}, A_{(2)} = \begin{pmatrix} 2 & 0 & 0 \\ 0 & 4 & 0 \\ 0 & 0 & 2 \end{pmatrix}, A_{(3)} = \begin{pmatrix} 2 & 0 & 0 \\ 0 & 2 & 0 \\ 0 & 0 & 4 \end{pmatrix},$$

and, for  $\ell = (\ell_1, \ell_2) \in \mathbb{Z}^2$ , let the *shear matrices* be defined by

$$B_{(1)}^{[\ell]} = \begin{pmatrix} 1 & \ell_1 & \ell_2 \\ 0 & 1 & 0 \\ 0 & 0 & 1 \end{pmatrix}, B_{(2)}^{[\ell]} = \begin{pmatrix} 1 & 0 & 0 \\ \ell_1 & 1 & \ell_2 \\ 0 & 0 & 1 \end{pmatrix}, B_{(3)}^{[\ell]} = \begin{pmatrix} 1 & 0 & 0 \\ 0 & 1 & 0 \\ \ell_1 & \ell_2 & 1 \end{pmatrix}.$$

Hence, for  $\xi = (\xi_1, \xi_2, \xi_3) \in \mathbb{R}^3$  and  $d = 1, 2, 3$ , the 3D *shearlet systems* associated with the pyramidal regions  $\mathcal{P}_d$  are defined as the collections

$$\{\psi_{j,\ell,k}^{(d)} : j \geq 0, -2^j \leq \ell_1, \ell_2 \leq 2^j, k \in \mathbb{Z}^3\}, \quad (3.22)$$

where

$$\hat{\psi}_{j,\ell,k}^{(d)}(\xi) = |\det A_{(d)}|^{-j/2} W(2^{-2j}\xi) V_{(d)}(\xi A_{(d)}^{-j} B_{(d)}^{[-\ell]}) e^{2\pi i \xi A_{(d)}^{-j} B_{(d)}^{[-\ell]} k}, \quad (3.23)$$

$V_{(1)}(\xi_1, \xi_2, \xi_3) = v(\frac{\xi_2}{\xi_1})v(\frac{\xi_3}{\xi_1})$ ,  $V_{(2)}(\xi_1, \xi_2, \xi_3) = v(\frac{\xi_1}{\xi_2})v(\frac{\xi_3}{\xi_2})$ ,  $V_{(3)}(\xi_1, \xi_2, \xi_3) = v(\frac{\xi_1}{\xi_3})v(\frac{\xi_2}{\xi_3})$ , and  $v$  is defined as in Sec. 2, that is, it is a  $C^\infty$  functions supported inside  $[-1, 1]$ , with  $v(0) = 0$ ,  $v^{(n)}(0) = 1$  for all  $n \geq 1$  and satisfying (2.8). Notice that  $(B_{(d)}^{[\ell]})^{-1} = B_{(d)}^{[-\ell]}$ .

Similar to the 2D case, each system of shearlets (3.22), for  $d = 1, 2, 3$ , is a Parseval frame for  $L^2(\tilde{\mathcal{P}}_d)^\vee$ , the subspace of  $L^2$  functions whose frequency support is contained inside the truncated pyramidal regions  $\tilde{\mathcal{P}}_d = \mathcal{P}_d \cap \{(\xi_1, \xi_2, \xi_3) \in \mathbb{R}^3 : |\xi_d| \geq \frac{1}{8}\}$ .

**Proposition 3.1.** *For each  $d = 1, 2, 3$ , the system of shearlets (3.22) is a Parseval frame for  $L^2(\tilde{\mathcal{P}}_d)^\vee$ .*

**Proof.** We only present the argument for  $d = 1$  since the other cases are very similar.

Notice first that

$$(\xi_1, \xi_2, \xi_3) A_{(1)}^{-j} B_{(1)}^{[-\ell]} = (2^{-2j}\xi_1, -\ell_1 2^{-2j}\xi_1 + 2^{-j}\xi_2, -\ell_2 2^{-2j}\xi_1 + 2^{-j}\xi_3).$$

Hence, we can write the elements of the system of shearlets (3.22), for  $d = 1$ , as

$$\hat{\psi}_{j,\ell,k}^{(1)}(\xi_1, \xi_2, \xi_3) = 2^{-2j} W(2^{-2j}\xi_1, 2^{-2j}\xi_2, 2^{-2j}\xi_3) v\left(2^j \frac{\xi_2}{\xi_1} - \ell_1\right) v\left(2^j \frac{\xi_3}{\xi_1} - \ell_2\right) e^{2\pi i \xi A_{(1)}^{-j} B_{(1)}^{[-\ell]} k}.$$

Let  $f \in L^2(\tilde{\mathcal{P}}_1)^\vee$ . Using the change of variable  $\eta = \xi A_{(1)}^{-j} B_{(1)}^{[-\ell]}$  and the notation  $Q = [-\frac{1}{2}, \frac{1}{2}]^3$ , we have:

$$\begin{aligned} & \sum_{k \in \mathbb{Z}^3} |\langle \hat{f}, \hat{\psi}_{j,\ell,k}^{(1)} \rangle|^2 \\ &= \sum_{k \in \mathbb{Z}^3} \left| \int_{\mathbb{R}^3} 2^{-2j} \hat{f}(\xi) W(2^{-2j}\xi_1, 2^{-2j}\xi_2, 2^{-2j}\xi_3) v\left(2^j \frac{\xi_2}{\xi_1} - \ell_1\right) v\left(2^j \frac{\xi_3}{\xi_1} - \ell_2\right) e^{2\pi i \xi A_{(1)}^{-j} B_{(1)}^{[-\ell]} k} d\xi \right|^2 \\ &= \sum_{k \in \mathbb{Z}^3} \left| \int_Q 2^{2j} \hat{f}(\eta B_{(1)}^\ell A_{(1)}^j) W(\eta_1, 2^{-j}(\eta_2 + \ell_1 \eta_1), 2^{-j}(\eta_3 + \ell_2 \eta_1)) v\left(\frac{\eta_2}{\eta_1}\right) v\left(\frac{\eta_3}{\eta_1}\right) e^{2\pi i \eta k} d\eta \right|^2 \\ &= \int_Q 2^{3j} |\hat{f}(\eta B_{(1)}^\ell A_{(1)}^j)|^2 |W(\eta_1, 2^{-j}(\eta_2 + \ell_1 \eta_1))|^2 |v\left(\frac{\eta_2}{\eta_1}\right)|^2 |v\left(\frac{\eta_3}{\eta_1}\right)|^2 d\eta \\ &= \int_{\mathbb{R}^3} |\hat{f}(\xi)|^2 |W(2^{-2j}\xi_1, 2^{-2j}\xi_2, 2^{-2j}\xi_3)|^2 |v\left(2^j \frac{\xi_2}{\xi_1} - \ell_1\right)|^2 |v\left(2^j \frac{\xi_3}{\xi_1} - \ell_2\right)|^2 d\xi. \end{aligned} \quad (3.24)$$

In the computation above, we have used the fact that the function

$$W(\eta_1, 2^{-j}(\eta_2 + \ell_1\eta_1), 2^{-j}(\eta_3 + \ell_2\eta_2)) v\left(\frac{\eta_2}{\eta_1}\right) v\left(\frac{\eta_3}{\eta_1}\right)$$

is supported inside  $Q$  since  $v\left(\frac{\eta_2}{\eta_1}\right)$  is supported inside the region  $|\frac{\eta_2}{\eta_1}| \leq 1$ ,  $v\left(\frac{\eta_3}{\eta_1}\right)$  is supported inside the region  $|\frac{\eta_3}{\eta_1}| \leq 1$  and  $W(\eta_1, 2^{-j}(\eta_2 + \ell_1\eta_1), 2^{-j}(\eta_3 + \ell_2\eta_2))$  is supported inside the region  $|\eta_1| \leq \frac{1}{2}$ .

Using (3.21) and (2.9) it follows that

$$\begin{aligned} & \sum_{j \geq 0} \sum_{\ell_1 = -2^j}^{2^j} \sum_{\ell_2 = -2^j}^{2^j} |W(2^{-2j}\xi_1, 2^{-2j}\xi_2, 2^{-2j}\xi_3)|^2 |v\left(2^j \frac{\xi_2}{\xi_1} - \ell_1\right)|^2 |v\left(2^j \frac{\xi_3}{\xi_1} - \ell_2\right)|^2 \\ &= \sum_{j \geq 0} |W(2^{-2j}\xi_1, 2^{-2j}\xi_2, 2^{-2j}\xi_3)|^2 \sum_{\ell_1 = -2^j}^{2^j} |v\left(2^j \frac{\xi_2}{\xi_1} - \ell_1\right)|^2 \sum_{\ell_2 = -2^j}^{2^j} |v\left(2^j \frac{\xi_3}{\xi_1} - \ell_2\right)|^2 \\ &= 1 \quad \text{for } (\xi_1, \xi_2, \xi_3) \in \tilde{\mathcal{P}}_1. \end{aligned} \tag{3.25}$$

Thus, using (3.24) and (3.25), we conclude that, for any  $f \in L^2(\tilde{\mathcal{P}}_1)^\vee$ , we have:

$$\sum_{j \geq 0} \sum_{\ell_1 = -2^j}^{2^j} \sum_{\ell_2 = -2^j}^{2^j} \sum_{k \in \mathbb{Z}^2} |\langle f, \psi_{j, \ell_1, \ell_2, k}^{(1)} \rangle|^2 = \|f\|^2. \quad \square$$

### 3.1 A smooth Parseval frame of shearlets for $L^2(\mathbb{R}^3)$

Similar to the 2D case, we will obtain a Parseval frame of shearlets for  $L^2(\mathbb{R}^3)$  using an appropriate combination of the systems of shearlets associated with the 3 pyramidal regions  $\mathcal{P}_d$ ,  $d = 1, 2, 3$ , together with a coarse scale system, which will take care of the low frequency region. To ensure that all elements of this combined shearlet system are  $C_c^\infty$  in the Fourier domain, we will introduce appropriate boundary elements corresponding to the boundaries of the 3 pyramidal regions. The main difference with respect to the 2D case is that there are two classes of such boundary shearlets, corresponding to boundary planes (where 2 pyramidal regions intersect) and boundary lines (where 3 pyramidal regions intersect), respectively. As will be shown in Sec. 4, the same type of situation, requiring different types of boundary shearlets, will occur in higher dimensions.

The new shearlet system for  $L^2(\mathbb{R}^3)$  is defined as the collection

$$\begin{aligned} & \left\{ \tilde{\psi}_{-1, k} : k \in \mathbb{Z}^3 \right\} \cup \left\{ \tilde{\psi}_{j, \ell, k, d} : j \geq 0, |\ell_1| \leq 2^j, |\ell_2| < 2^j, k \in \mathbb{Z}^3, d = 1, 2, 3 \right\} \\ & \cup \left\{ \tilde{\psi}_{j, \ell, k} : j \geq 0, \ell_1, \ell_2 = \pm 2^j, k \in \mathbb{Z}^3 \right\} \end{aligned} \tag{3.26}$$

consisting of:

- the *coarse scale shearlets*  $\{\tilde{\psi}_{-1, k} = \Phi(\cdot - k) : k \in \mathbb{Z}^3\}$ , where  $\Phi$  is given by (3.19);
- the *interior shearlets*  $\{\tilde{\psi}_{j, \ell, k, d} = \psi_{j, \ell, k}^{(d)} : j \geq 0, |\ell_1| |\ell_2| < 2^j, k \in \mathbb{Z}^3, d = 1, 2, 3\}$ , where the functions  $\psi_{j, \ell, k}^{(d)}$  are given by (3.23);
- the *boundary shearlets*  $\{\tilde{\psi}_{j, \ell, k, d} : j \geq 0, \ell_1 = \pm 2^j, |\ell_2| < 2^j, k \in \mathbb{Z}^3, d = 1, 2, 3\}$  and  $\{\tilde{\psi}_{j, \ell, k} : j \geq 0, \ell_1, \ell_2 = \pm 2^j, k \in \mathbb{Z}^3\}$ , obtained by joining together slightly modified versions of  $\psi_{j, \ell, k}^{(1)}$ ,  $\psi_{j, \ell, k}^{(2)}$  and  $\psi_{j, \ell, k}^{(3)}$ , for  $\ell_1, \ell_2 = \pm 2^j$ , after they have been restricted in the Fourier domain to the pyramidal regions  $\mathcal{P}_1$ ,  $\mathcal{P}_2$  and  $\mathcal{P}_3$ , respectively. Their precise definition is given below.

For  $j \geq 1$ ,  $\ell_1 = \pm 2^j$ ,  $|\ell_2| < 2^j$ , we define

$$\begin{aligned}
(\tilde{\psi}_{j,\ell_1,\ell_2,k,1})^\wedge(\xi) &= \begin{cases} 2^{-2j-3} W(2^{-2j}\xi) v\left(2^j \frac{\xi_2}{\xi_1} - \ell_1\right) v\left(2^j \frac{\xi_3}{\xi_1} - \ell_2\right) e^{2\pi i \xi 2^{-2} A_{(1)}^{-j} B_{(1)}^{[-(\ell_1, \ell_2)]} k}, & \text{if } \xi \in \mathcal{P}_1 \\ 2^{-2j-3} W(2^{-2j}\xi) v\left(2^j \frac{\xi_1}{\xi_2} - \ell_1\right) v\left(2^j \frac{\xi_3}{\xi_2} - \ell_2\right) e^{2\pi i \xi 2^{-2} A_{(1)}^{-j} B_{(1)}^{[-(\ell_1, \ell_2)]} k}, & \text{if } \xi \in \mathcal{P}_2. \end{cases} \\
(\tilde{\psi}_{j,\ell_1,\ell_2,k,2})^\wedge(\xi) &= \begin{cases} 2^{-2j-3} W(2^{-2j}\xi) v\left(2^j \frac{\xi_1}{\xi_2} - \ell_2\right) v\left(2^j \frac{\xi_3}{\xi_2} - \ell_1\right) e^{2\pi i \xi 2^{-2} A_{(2)}^{-j} B_{(2)}^{[-(\ell_2, \ell_1)]} k}, & \text{if } \xi \in \mathcal{P}_2 \\ 2^{-2j-3} W(2^{-2j}\xi) v\left(2^j \frac{\xi_1}{\xi_3} - \ell_2\right) v\left(2^j \frac{\xi_2}{\xi_3} - \ell_1\right) e^{2\pi i \xi 2^{-2} A_{(2)}^{-j} B_{(2)}^{[-(\ell_2, \ell_1)]} k}, & \text{if } \xi \in \mathcal{P}_3. \end{cases} \\
(\tilde{\psi}_{j,\ell_1,\ell_2,k,3})^\wedge(\xi) &= \begin{cases} 2^{-2j-3} W(2^{-2j}\xi) v\left(2^j \frac{\xi_2}{\xi_1} - \ell_2\right) v\left(2^j \frac{\xi_3}{\xi_1} - \ell_1\right) e^{2\pi i \xi 2^{-2} A_{(3)}^{-j} B_{(3)}^{[-(\ell_1, \ell_2)]} k}, & \text{if } \xi \in \mathcal{P}_1 \\ 2^{-2j-3} W(2^{-2j}\xi) v\left(2^j \frac{\xi_1}{\xi_3} - \ell_1\right) v\left(2^j \frac{\xi_2}{\xi_3} - \ell_2\right) e^{2\pi i \xi 2^{-2} A_{(3)}^{-j} B_{(3)}^{[-(\ell_1, \ell_2)]} k}, & \text{if } \xi \in \mathcal{P}_3. \end{cases}
\end{aligned} \tag{3.27}$$

For  $j \geq 1$ ,  $\ell_1, \ell_2 = \pm 2^j$ , we define

$$(\tilde{\psi}_{j,\ell_1,\ell_2,k})^\wedge(\xi) = \begin{cases} 2^{-2j-3} W(2^{-2j}\xi) v\left(2^j \frac{\xi_2}{\xi_1} - \ell_1\right) v\left(2^j \frac{\xi_3}{\xi_1} - \ell_2\right) e^{2\pi i \xi 2^{-2} A_{(1)}^{-j} B_{(1)}^{[-(\ell_1, \ell_2)]} k}, & \text{if } \xi \in \mathcal{P}_1 \\ 2^{-2j-3} W(2^{-2j}\xi) v\left(2^j \frac{\xi_1}{\xi_2} - \ell_1\right) v\left(2^j \frac{\xi_3}{\xi_2} - \ell_2\right) e^{2\pi i \xi 2^{-2} A_{(1)}^{-j} B_{(1)}^{[-(\ell_1, \ell_2)]} k}, & \text{if } \xi \in \mathcal{P}_2, \\ 2^{-2j-3} W(2^{-2j}\xi) v\left(2^j \frac{\xi_1}{\xi_3} - \ell_1\right) v\left(2^j \frac{\xi_2}{\xi_3} - \ell_2\right) e^{2\pi i \xi 2^{-2} A_{(1)}^{-j} B_{(1)}^{[-(\ell_1, \ell_2)]} k}, & \text{if } \xi \in \mathcal{P}_3. \end{cases}$$

Similarly, for  $j = 0$ ,  $\ell_1 = \pm 1$ , we define

$$\begin{aligned}
(\tilde{\psi}_{0,\ell_1,0,k,1})^\wedge(\xi) &= \begin{cases} W(\xi) v\left(\frac{\xi_2}{\xi_1} - \ell_1\right) v\left(\frac{\xi_3}{\xi_1}\right) e^{2\pi i \xi k}, & \text{if } \xi \in \mathcal{P}_1 \\ W(\xi) v\left(\frac{\xi_1}{\xi_2} - \ell_1\right) v\left(\frac{\xi_3}{\xi_2}\right) e^{2\pi i \xi k}, & \text{if } \xi \in \mathcal{P}_2. \end{cases} \\
(\tilde{\psi}_{0,\ell_1,0,k,2})^\wedge(\xi) &= \begin{cases} W(\xi) v\left(\frac{\xi_1}{\xi_2}\right) v\left(\frac{\xi_3}{\xi_2} - \ell_1\right) e^{2\pi i \xi k}, & \text{if } \xi \in \mathcal{P}_2 \\ W(\xi) v\left(\frac{\xi_1}{\xi_3}\right) v\left(\frac{\xi_2}{\xi_3} - \ell_1\right) e^{2\pi i \xi k}, & \text{if } \xi \in \mathcal{P}_3. \end{cases} \\
(\tilde{\psi}_{0,\ell_1,0,k,3})^\wedge(\xi) &= \begin{cases} W(\xi) v\left(\frac{\xi_2}{\xi_1}\right) v\left(\frac{\xi_3}{\xi_1} - \ell_1\right) e^{2\pi i \xi k}, & \text{if } \xi \in \mathcal{P}_1 \\ W(\xi) v\left(\frac{\xi_1}{\xi_3} - \ell_1\right) v\left(\frac{\xi_2}{\xi_3}\right) e^{2\pi i \xi k}, & \text{if } \xi \in \mathcal{P}_3. \end{cases}
\end{aligned}$$

For  $j = 0$ ,  $\ell_1 = \pm 1$  and  $\ell_2 = \pm 1$ , we define

$$(\tilde{\psi}_{0,\ell_1,\ell_2,k})^\wedge(\xi) = \begin{cases} W(\xi) v\left(\frac{\xi_2}{\xi_1} - \ell_1\right) v\left(\frac{\xi_3}{\xi_1} - \ell_2\right) e^{2\pi i \xi k}, & \text{if } \xi \in \mathcal{P}_1 \\ W(\xi) v\left(\frac{\xi_1}{\xi_2} - \ell_1\right) v\left(\frac{\xi_3}{\xi_2} - \ell_2\right) e^{2\pi i \xi k}, & \text{if } \xi \in \mathcal{P}_2 \\ W(\xi) v\left(\frac{\xi_1}{\xi_3} - \ell_1\right) v\left(\frac{\xi_2}{\xi_3} - \ell_2\right) e^{2\pi i \xi k}, & \text{if } \xi \in \mathcal{P}_3. \end{cases}$$

Notice that the boundary shearlet functions are compactly supported in the Fourier domain by construction. In addition, it can be shown that they are  $C^\infty$  in the Fourier domain. In fact, let us consider the function  $(\tilde{\psi}_{j,2^j,\ell_2,k})^\wedge$ , given by (3.27). To show that it is continuous, it is easy to verify that the two terms of the piecewise defined function are equal when  $\xi_1 = \xi_2$  and  $\xi_1 = \xi_3$ . The smoothness is verified that checking the derivatives of these functions on the plane  $\xi_1 = \xi_2 = \xi_3$ . Specifically, we have that

$$\begin{aligned}
&\frac{\partial}{\partial \xi_1} [W(2^{-2j}\xi) v\left(2^j \left(\frac{\xi_2}{\xi_1} - 1\right)\right) v\left(2^j \frac{\xi_3}{\xi_1} - \ell_2\right) e^{2\pi i \xi 2^{-2} A_{(1)}^{-j} B_{(1)}^{[-2^j, -\ell_2]} k}]|_{\xi_3=\xi_2=\xi_1} \\
&= 2^{-2j} \frac{\partial W}{\partial \xi_1} (2^{-2j}(\xi_1, \xi_1, \xi_1)) v(0) v(2^j - \ell_2) e^{2\pi i 2^{-2j-2} \xi_1 k_1}
\end{aligned}$$

$$\begin{aligned}
& -\frac{2^j}{\xi_1} W(2^{-2j}(\xi_1, \xi_1, \xi_1)) v'(0) v(2^j - \ell_2) e^{2\pi i 2^{-2j-2} \xi_1 k_1} \\
& -\frac{2^j}{\xi_1} W(2^{-2j}(\xi_1, \xi_1, \xi_1)) v(0) v'(2^j - \ell_2) e^{2\pi i 2^{-2j-2} \xi_1 k_1} \\
& + 2\pi i (2^{-2j-2} k_1 - 2^{-j-2} k_2 - 2^{-2j-2} \ell_2 k_3) W(2^{-2j}(\xi_1, \xi_1, \xi_1)) v(0) v(2^j - \ell_2) \\
& \times e^{2\pi i (2^{-2j-2} \xi_1 k_1 + 2^{-j-2} (\xi_2 - \xi_1) k_2 + 2^{-j-2} (\xi_3 - \ell_2 2^{-j} \xi_1) k_3)},
\end{aligned}$$

$$\begin{aligned}
& \frac{\partial}{\partial \xi_1} [W(2^{-2j} \xi) v\left(2^j \left(\frac{\xi_1}{\xi_2} - 1\right)\right) v\left(2^j \frac{\xi_3}{\xi_2} - \ell_2\right) e^{2\pi i \xi 2^{-2} A_{(1)}^{-j} B_{(1)}^{[-2j, -\ell_2]} k}]_{\xi_3 = \xi_2 = \xi_1} \\
& = 2^{-2j} \frac{\partial W}{\partial \xi_1} (2^{-2j}(\xi_1, \xi_1, \xi_1)) v(0) v(2^j - \ell_2) e^{2\pi i 2^{-2j-2} \xi_1 k_1} \\
& + \frac{2^j}{\xi_1} W(2^{-2j}(\xi_1, \xi_1, \xi_1)) v'(0) v(2^j - \ell_2) e^{2\pi i 2^{-2j-1} \xi_1 k_1} \\
& + 2\pi i (2^{-2j-2} k_1 - 2^{-j-2} k_2 - 2^{-2j-2} \ell_2 k_3) W(2^{-2j}(\xi_1, \xi_1, \xi_1)) v(0) v(2^j - \ell_2) \\
& \times e^{2\pi i (2^{-2j-2} \xi_1 k_1 + 2^{-j-2} (\xi_2 - \xi_1) k_2 + 2^{-j-2} (\xi_3 - \ell_2 2^{-j} \xi_1) k_3)}.
\end{aligned}$$

Since  $v'(0) = 0$  and  $v'(2^j - \ell_2) = 0$  (this is due to the fact that  $v'(0) = 0$  and  $v'$  vanishes outside its support in  $(-1, 1)$ ), the two partial derivatives agree for  $\xi_1 = \xi_2 = \xi_3$ . A very similar calculation shows that also the partial derivatives with respect to  $\xi_2$  and  $\xi_3$  agree for  $\xi_1 = \xi_2 = \xi_3$ . This observation can be repeated for higher order derivatives since  $v^{(n)}(0) = 0$  for all  $n \geq 1$ , implying that the functions  $(\tilde{\psi}_{j, \ell_1, \ell_2, k})^\wedge(\xi)$ , given by (3.27), are infinitely differentiable. A similar computation shows that all boundary shearlets are infinitely differentiable.

We have the following result.

**Theorem 3.2.** *The system of shearlets (3.26) is a Parseval frame for  $L^2(\mathbb{R}^3)$ . In addition, the elements of this systems are  $C^\infty$  and compactly supported in the Fourier domain.*

**Proof.** The interior and coarse scale shearlets are clearly  $C^\infty$  and compactly supported in the Fourier domain by construction. As discussed above, the boundary shearlets also satisfy this property. Thus, it only remains to prove that the system of shearlets (3.26) is a Parseval frame.

We will first examine the tiling properties of the boundary shearlets starting with the functions  $\{\tilde{\psi}_{j, 2^j, \ell_2, k, 1} : j \geq 0, |\ell_2| < 2^j, k \in \mathbb{Z}^3\}$ . For  $f \in L^2(\mathbb{R}^3)$  we have:

$$\begin{aligned}
& \sum_{j \geq 0} \sum_{k \in \mathbb{Z}^3} |\langle \hat{f}, (\tilde{\psi}_{j, 2^j, \ell_2, k, 1})^\wedge \rangle|^2 \\
& = \sum_{j \geq 0} \sum_{k \in \mathbb{Z}^3} \left| \int_{\mathcal{P}_1} 2^{-2j-3} \hat{f}(\xi) W(2^{-2j} \xi) v\left(2^j \left(\frac{\xi_2}{\xi_1} - 1\right)\right) v\left(2^j \frac{\xi_3}{\xi_1} - \ell_2\right) e^{2\pi i \xi 2^{-2} A_{(1)}^{-j} B_{(1)}^{[-2j, -\ell_2]} k} d\xi \right|^2 \\
& + \sum_{j \geq 0} \sum_{k \in \mathbb{Z}^3} \left| \int_{\mathcal{P}_2} 2^{-2j-3} \hat{f}(\xi) W(2^{-2j} \xi) v\left(2^j \left(\frac{\xi_1}{\xi_2} - 1\right)\right) v\left(2^j \frac{\xi_3}{\xi_2} - \ell_2\right) e^{2\pi i \xi 2^{-2} A_{(1)}^{-j} B_{(1)}^{[-2j, -\ell_2]} k} d\xi \right|^2 \quad (3.28)
\end{aligned}$$

We will use the change of variable  $\eta = \xi 2^{-2} A_{(1)}^{-j} B_{(1)}^{[-2j, -\ell_2]}$  and hence  $\xi = 2^2 \eta B_{(1)}^{[2j, \ell_2]} A_{(1)}^j = (2^{2j+2} \eta_1, 2^{2j+2} \eta_1 + 2^{j+2} \eta_2, \ell_2 2^{j+2} \eta_1 + 2^{j+2} \eta_3)$ . Using this change of variable we have

$$\begin{aligned}
& v\left(2^j \left(\frac{\xi_2}{\xi_1} - 1\right)\right) v\left(2^j \left(\frac{\xi_3}{\xi_1} - 1\right)\right) = v\left(\frac{\eta_2}{\eta_1}\right) v\left(\frac{\eta_3}{\eta_1}\right), \\
& v\left(2^j \left(\frac{\xi_1}{\xi_2} - 1\right)\right) = v\left(2^j \frac{2^{2j+2} \eta_1}{2^{2j+2} \eta_1 + 2^{j+2} \eta_2} - 2^j\right) = v\left(\frac{-\eta_1}{\eta_1 + 2^{-j} \eta_2}\right),
\end{aligned}$$

$$v\left(2^j \frac{\xi_3}{\xi_2} - \ell_2\right) = v\left(2^j \frac{\ell_2 2^{j+2} \eta_1 + 2^{j+2} \eta_3}{2^{2j+2} \eta_1 + 2^{j+1} \eta_2} - \ell_2\right) = v\left(\frac{2^j \eta_3 - \ell_2 \eta_2}{2^j \eta_1 + \eta_2}\right),$$

$$W(2^{-2j} \xi_1, 2^{-2j} \xi_2, 2^{-2j} \xi_3) = W(2^2 \eta_1, 2^{-j+2}(\eta_2 + 2^j \eta_1), 2^{-j+2}(\eta_3 + \ell_2 \eta_1)).$$

By the conditions on the support of  $v$  and  $W$ , it follows that  $v\left(\frac{\eta_2}{\eta_1}\right) v\left(\frac{\eta_3}{\eta_1}\right)$  is supported inside the cone  $\mathcal{P}_1$  and  $W(2^2 \eta_1, 2^{-j+2}(\eta_2 + 2^j \eta_1), 2^{-j+2}(\eta_3 + \ell_2 \eta_1))$  is supported inside the region  $|\eta_1| \leq \frac{1}{8}$ . Thus, the function

$$\Gamma_{1,j}(\eta) = W(2^2 \eta_1, 2^{-j+2}(\eta_2 + 2^j \eta_1), 2^{-j+2}(\eta_3 + \ell_2 \eta_1)) v\left(\frac{\eta_2}{\eta_1}\right) v\left(\frac{\eta_3}{\eta_1}\right)$$

is supported inside  $Q$ . Next, consider the function

$$\Gamma_{2,j}(\eta) = W(2^2 \eta_1, 2^{-j+2}(\eta_2 + 2^j \eta_1), 2^{-j+2}(\eta_3 + \ell_2 \eta_1)) v\left(\frac{-\eta_2}{\eta_1 + 2^{-j} \eta_2}\right) v\left(\frac{2^j \eta_3 - \ell_2 \eta_2}{2^j \eta_1 + \eta_2}\right).$$

We will show that also the support of  $\Gamma_{2,j}$  is contained inside  $Q$ . In fact, the assumption on the support of  $W$  implies that  $|\eta_1| \leq \frac{1}{8}$ . In addition, the support condition of  $v$  implies that

$$\left|\frac{\eta_2}{\eta_1 + 2^{-j} \eta_2}\right| \leq 1.$$

It follows that

$$\left|\frac{\eta_2}{\eta_1}\right| \leq \left|1 + 2^{-j} \frac{\eta_2}{\eta_1}\right| \leq 1 + 2^{-j} \left|\frac{\eta_2}{\eta_1}\right|,$$

so that

$$(1 - 2^{-j}) \left|\frac{\eta_2}{\eta_1}\right| \leq 1,$$

and finally

$$\left|\frac{\eta_2}{\eta_1}\right| \leq (1 - 2^{-j})^{-1} \leq 2 \quad \text{for } j \geq 1.$$

This shows that, if  $|\eta_1| \leq \frac{1}{8}$ , then  $|\eta_2| \leq 2|\eta_1| \leq \frac{1}{2}$ . Again, by the support condition on  $v$ , we have that

$$\left|\frac{2^j \eta_3 - \ell_2 \eta_2}{2^j \eta_1 + \eta_2}\right| \leq 1.$$

It follows that

$$\left|\frac{\eta_3}{\eta_1} - 2^{-j} \ell_2 \frac{\eta_2}{\eta_1}\right| \leq \left|1 + 2^{-j} \frac{\eta_2}{\eta_1}\right| \leq 1 + 2^{-j} \left|\frac{\eta_2}{\eta_1}\right|.$$

Hence

$$\left|\frac{\eta_3}{\eta_1}\right| \leq 1 + 2^{-j} \left|\frac{\eta_2}{\eta_1}\right| + 2^{-j} |\ell_2| \left|\frac{\eta_2}{\eta_1}\right| \leq 4 \quad \text{since } j \geq 1, \quad \left|\frac{\eta_2}{\eta_1}\right| \leq 2.$$

Combined with the observation above, this shows that, if  $|\eta_1| \leq \frac{1}{8}$ , then  $|\eta_3| \leq \frac{1}{2}$ . Thus, also  $\Gamma_{2,j}(\eta)$  is supported inside  $Q$ , for each  $j \geq 1$ .

Using these observations, from (3.28) we have that, for  $j \geq 1$ ,  $|\ell_2| < 2^j$ :

$$\begin{aligned} & \sum_{k \in \mathbb{Z}^3} |\langle \hat{f}, (\tilde{\psi}_{j,2^j, \ell_2, k, 1})^\wedge \rangle|^2 \\ &= \sum_{k \in \mathbb{Z}^3} \left| \int_{\mathcal{P}_1} 2^{-2j-3} \hat{f}(\xi) W(2^{-2j} \xi) v\left(2^j \left(\frac{\xi_2}{\xi_1} - 1\right)\right) v\left(2^j \frac{\xi_3}{\xi_1} - \ell_2\right) e^{2\pi i \xi 2^{-2} A_{(1)}^{-j} B_{(1)}^{[-2j, -\ell_2]} k} d\xi \right|^2 \end{aligned}$$



$$\begin{aligned}
& + \sum_{k \in \mathbb{Z}^3} \left| \int_{\mathcal{P}_2} 2^{-2j-3} \hat{f}(\xi) W(2^{-2j}\xi) v\left(2^j \frac{\xi_1}{\xi_2} - 1\right) v\left(2^j \frac{\xi_3}{\xi_2} - \ell_2\right) e^{2\pi i \xi_2^{-2} A_{(1)}^{-j} B_{(1)}^{[-2j, -\ell_2]k}} d\xi \right|^2 \\
& = \sum_{k \in \mathbb{Z}^3} \left| \int_Q 2^{2j+3} \hat{f}(2^2 \eta B_{(1)}^{2j} A_{(1)}^j) W(2^2 \eta_1, 2^{-j+2}(\eta_2 + 2^j \eta_1), 2^{-j+2}(\eta_3 + \ell_2 \eta_1)) v\left(\frac{\eta_2}{\eta_1}\right) v\left(\frac{\eta_3}{\eta_1}\right) e^{2\pi i \eta k} d\eta \right|^2 \\
& + \sum_{k \in \mathbb{Z}^3} \left| \int_Q 2^{2j+3} \hat{f}(2^2 \eta B_{(1)}^{2j} A_{(1)}^j) W(2^2 \eta_1, 2^{-j+2}(\eta_2 + 2^j \eta_1), 2^{-j+2}(\eta_3 + \ell_2 \eta_1)) v\left(\frac{-\eta_2}{\eta_1 + 2^{-j} \eta_2}\right) \right. \\
& \quad \left. \times v\left(\frac{2^j \eta_3 - \ell_2 \eta_2}{2^j \eta_1 + \eta_2}\right) e^{2\pi i \eta k} d\eta \right|^2 \\
& = \int_{\mathcal{P}_1 2^{-2} A_{(1)}^{-j} (B_{(1)}^{[2j, \ell_2]})^{-1}} 2^{4j+6} |\hat{f}(2^2 \eta B_{(1)}^\ell A_{(1)}^j)|^2 |W(2^2 \eta_1, 2^{-j+2}(\eta_2 + 2^j \eta_1), 2^{-j+2}(\eta_3 + \ell_2 \eta_1))|^2 |v\left(\frac{\eta_2}{\eta_1}\right)|^2 d\eta \\
& + \int_{\mathcal{P}_2 2^{-2} A_{(1)}^{-j} (B_{(1)}^{[2j, \ell_2]})^{-1}} 2^{4j+6} |\hat{f}(2^2 \eta B_{(1)}^\ell A_{(1)}^j)|^2 |W(2^2 \eta_1, 2^{-j+2}(\eta_2 + 2^j \eta_1), 2^{-j+2}(\eta_3 + \ell_2 \eta_1))|^2 \\
& \quad \times |v\left(\frac{-\eta_2}{\eta_1 + 2^{-j} \eta_2}\right)|^2 |v\left(\frac{2^j \eta_3 - \ell_2 \eta_2}{2^j \eta_1 + \eta_2}\right)|^2 d\eta \\
& = \int_{\mathcal{P}_1} |\hat{f}(\xi)|^2 |W(2^{-2j}\xi)|^2 |v\left(2^j \frac{\xi_2}{\xi_1} - 1\right)|^2 |v\left(2^j \frac{\xi_3}{\xi_1} - \ell_2\right)|^2 d\xi \\
& + \int_{\mathcal{P}_2} |\hat{f}(\xi)|^2 |W(2^{-2j}\xi)|^2 |v\left(2^j \frac{\xi_1}{\xi_2} - 1\right)|^2 |v\left(2^j \frac{\xi_3}{\xi_1} - \ell_2\right)|^2 d\xi. \tag{3.29}
\end{aligned}$$

For  $j = 0$ , since  $\text{supp}(W) \subset Q$  we have that

$$\begin{aligned}
& \sum_{k \in \mathbb{Z}^3} |\langle \hat{f}, (\tilde{\psi}_{0,1,0,k,1})^\wedge \rangle|^2 \\
& = \sum_{k \in \mathbb{Z}^3} \left| \int_{\mathcal{P}_1} \hat{f}(\xi) W(\xi) v\left(\frac{\xi_2}{\xi_1} - 1\right) v\left(\frac{\xi_3}{\xi_1}\right) e^{2\pi i \xi k} d\xi \right|^2 + \sum_{k \in \mathbb{Z}^3} \left| \int_{\mathcal{P}_2} \hat{f}(\xi) W(\xi) v\left(\frac{\xi_1}{\xi_2} - 1\right) v\left(\frac{\xi_3}{\xi_2}\right) e^{2\pi i \xi k} d\xi \right|^2 \\
& = \int_{\mathcal{P}_1} |\hat{f}(\xi)|^2 |W(\xi)|^2 |v\left(\frac{\xi_2}{\xi_1} - 1\right)|^2 |v\left(\frac{\xi_3}{\xi_1}\right)|^2 d\xi + \int_{\mathcal{P}_2} |\hat{f}(\xi)|^2 |W(\xi)|^2 |v\left(\frac{\xi_1}{\xi_2} - 1\right)|^2 |v\left(\frac{\xi_3}{\xi_2}\right)|^2 d\xi, \tag{3.30}
\end{aligned}$$

for any  $f \in L^2(\mathbb{R}^3)$ . Using (3.29) and (3.30) into (3.28), we conclude that, for  $|\ell_2| < 2^j$ ,

$$\begin{aligned}
& \sum_{j \geq 0} \sum_{k \in \mathbb{Z}^3} |\langle \hat{f}, (\tilde{\psi}_{j,2^j,\ell_2,k,1})^\wedge \rangle|^2 \\
& = \sum_{j \geq 0} \int_{\mathcal{P}_1} |\hat{f}(\xi)|^2 |W(2^{-2j}\xi)|^2 |v\left(2^j \frac{\xi_2}{\xi_1} - 1\right)|^2 |v\left(2^j \frac{\xi_3}{\xi_1} - \ell_2\right)|^2 d\xi \\
& + \sum_{j \geq 0} \int_{\mathcal{P}_2} |\hat{f}(\xi)|^2 |W(2^{-2j}\xi)|^2 |v\left(2^j \frac{\xi_1}{\xi_2} - 1\right)|^2 |v\left(2^j \frac{\xi_3}{\xi_2} - \ell_2\right)|^2 d\xi, \tag{3.31}
\end{aligned}$$

with a similar result holding for  $\tilde{\psi}_{j,-2^j,\ell_2,k}$ .

Similar computations to the one above show that, for  $\ell_1 = \pm 1$ ,  $|\ell_2| < 2^j$ ,

$$\begin{aligned}
& \sum_{j \geq 0} \sum_{k \in \mathbb{Z}^3} |\langle \hat{f}, (\tilde{\psi}_{j,\ell_1,\ell_2,k,2})^\wedge \rangle|^2 \\
& = \sum_{j \geq 0} \int_{\mathcal{P}_2} |\hat{f}(\xi)|^2 |W(2^{-2j}\xi)|^2 |v\left(\frac{\xi_1}{\xi_2} - \ell_2\right)|^2 |v\left(2^j \frac{\xi_3}{\xi_2} - \ell_1\right)|^2 d\xi
\end{aligned}$$

$$+ \sum_{j \geq 0} \int_{\mathcal{P}_3} |\hat{f}(\xi)|^2 |W(2^{-2j}\xi)|^2 |v\left(2^j \frac{\xi_1}{\xi_3} - \ell_2\right)|^2 |v\left(2^j \frac{\xi_2}{\xi_3} - \ell_1\right)|^2 d\xi \quad (3.32)$$

and that

$$\begin{aligned} & \sum_{j \geq 0} \sum_{k \in \mathbb{Z}^3} |\langle \hat{f}, (\tilde{\psi}_{j, \ell_1, \ell_2, k, 3})^\wedge \rangle|^2 \\ &= \sum_{j \geq 0} \int_{\mathcal{P}_1} |\hat{f}(\xi)|^2 |W(2^{-2j}\xi)|^2 |v\left(\frac{\xi_2}{\xi_1} - \ell_2\right)|^2 |v\left(2^j \frac{\xi_3}{\xi_1} - \ell_1\right)|^2 d\xi \\ &+ \sum_{j \geq 0} \int_{\mathcal{P}_3} |\hat{f}(\xi)|^2 |W(2^{-2j}\xi)|^2 |v\left(2^j \frac{\xi_1}{\xi_3} - \ell_1\right)|^2 |v\left(2^j \frac{\xi_2}{\xi_3} - \ell_2\right)|^2 d\xi. \end{aligned} \quad (3.33)$$

A similar computation, for  $j \geq 1$ ,  $\ell_1, \ell_2 = \pm 2^j$  yields:

$$\begin{aligned} & \sum_{k \in \mathbb{Z}^3} |\langle \hat{f}, (\tilde{\psi}_{j, \ell_1, \ell_2, k})^\wedge \rangle|^2 \\ &= \int_{\mathcal{P}_1} |\hat{f}(\xi)|^2 |W(2^{-2j}\xi)|^2 |v\left(2^j \frac{\xi_2}{\xi_1} - \ell_1\right)|^2 |v\left(2^j \frac{\xi_3}{\xi_1} - \ell_2\right)|^2 d\xi \\ &+ \int_{\mathcal{P}_2} |\hat{f}(\xi)|^2 |W(2^{-2j}\xi)|^2 |v\left(2^j \frac{\xi_1}{\xi_2} - \ell_1\right)|^2 |v\left(2^j \frac{\xi_3}{\xi_1} - \ell_2\right)|^2 d\xi \\ &+ \int_{\mathcal{P}_3} |\hat{f}(\xi)|^2 |W(2^{-2j}\xi)|^2 |v\left(2^j \frac{\xi_1}{\xi_3} - \ell_1\right)|^2 |v\left(2^j \frac{\xi_2}{\xi_3} - \ell_2\right)|^2 d\xi. \end{aligned} \quad (3.34)$$

Similarly, for  $j = 0$ ,  $\ell_1, \ell_2 = \pm 1$ ,

$$\begin{aligned} & \sum_{k \in \mathbb{Z}^3} |\langle \hat{f}, (\tilde{\psi}_{0, \ell_1, \ell_2, k})^\wedge \rangle|^2 \\ &= \int_{\mathcal{P}_1} |\hat{f}(\xi)|^2 |W(\xi)|^2 |v\left(\frac{\xi_2}{\xi_1} - \ell_1\right)|^2 |v\left(\frac{\xi_3}{\xi_1} - \ell_2\right)|^2 d\xi \\ &+ \int_{\mathcal{P}_2} |\hat{f}(\xi)|^2 |W(\xi)|^2 |v\left(\frac{\xi_1}{\xi_2} - \ell_1\right)|^2 |v\left(\frac{\xi_3}{\xi_2} - \ell_2\right)|^2 d\xi \\ &+ \int_{\mathcal{P}_3} |\hat{f}(\xi)|^2 |W(\xi)|^2 |v\left(\frac{\xi_1}{\xi_3} - \ell_1\right)|^2 |v\left(\frac{\xi_2}{\xi_3} - \ell_2\right)|^2 d\xi. \end{aligned} \quad (3.35)$$

Using (3.34) and (3.35), we conclude that, for  $\ell_1, \ell_2 = \pm 2^j$ ,

$$\begin{aligned} & \sum_{j \geq 0} \sum_{k \in \mathbb{Z}^3} |\langle \hat{f}, (\tilde{\psi}_{j, \ell_1, \ell_2, k})^\wedge \rangle|^2 \\ &= \sum_{j \geq 0} \int_{\mathcal{P}_1} |\hat{f}(\xi)|^2 |W(2^{-2j}\xi)|^2 |v\left(2^j \frac{\xi_2}{\xi_1} - \ell_1\right)|^2 |v\left(2^j \frac{\xi_3}{\xi_1} - \ell_2\right)|^2 d\xi \\ &+ \sum_{j \geq 0} \int_{\mathcal{P}_2} |\hat{f}(\xi)|^2 |W(2^{-2j}\xi)|^2 |v\left(2^j \frac{\xi_1}{\xi_2} - \ell_1\right)|^2 |v\left(2^j \frac{\xi_3}{\xi_1} - \ell_2\right)|^2 d\xi \\ &+ \sum_{j \geq 0} \int_{\mathcal{P}_3} |\hat{f}(\xi)|^2 |W(2^{-2j}\xi)|^2 |v\left(2^j \frac{\xi_1}{\xi_3} - \ell_1\right)|^2 |v\left(2^j \frac{\xi_2}{\xi_3} - \ell_2\right)|^2 d\xi. \end{aligned} \quad (3.36)$$

Finally, using the same argument as in the proof of Proposition 3.1 it is easy to verify that for any  $f \in L^2(\mathbb{R}^3)$ :

$$\sum_{j \geq 0} \sum_{|\ell_1|, |\ell_2| < 2^j} \sum_{k \in \mathbb{Z}^3} |\langle f, \psi_{j, \ell_1, \ell_2, k}^{(1)} \rangle|^2 = \int_{\mathbb{R}^3} |\hat{f}(\xi)|^2 \sum_{j \geq 0} |W(2^{-2j}\xi)|^2 \sum_{|\ell_1|, |\ell_2| < 2^j} |v\left(2^j \frac{\xi_2}{\xi_1} - \ell_1\right)|^2 |v\left(2^j \frac{\xi_3}{\xi_1} - \ell_2\right)|^2 d\xi,$$

with a similar result holding for the interior shearlets  $\{\psi_{j,\ell_1,\ell_2,k}^{(d)}\}$ ,  $d = 2, 3$ .

Thus, using the last observation together with equalities (3.31), (3.32), (3.33) and (3.36), we now have that for any  $f \in L^2(\mathbb{R}^3)$ :

$$\begin{aligned}
& \sum_{d=1}^3 \sum_{j \geq 0} \sum_{|\ell_1| \leq 2^j} \sum_{|\ell_2| < 2^j} \sum_{k \in \mathbb{Z}^3} |\langle f, \tilde{\psi}_{j,\ell_1,\ell_2,k,d} \rangle|^2 + \sum_{j \geq 0} \sum_{\ell_1, \ell_2 = \pm 2^j} \sum_{k \in \mathbb{Z}^3} |\langle f, \tilde{\psi}_{j,\ell_1,\ell_2,k} \rangle|^2 \\
&= \sum_{d=1}^3 \sum_{j \geq 0} \sum_{|\ell_1|, |\ell_2| < 2^j} \sum_{k \in \mathbb{Z}^3} |\langle f, \psi_{j,\ell_1,\ell_2,k}^{(d)} \rangle|^2 + \sum_{d=1}^3 \sum_{j \geq 0} \sum_{\ell_1 = \pm 2^j} \sum_{|\ell_2| < 2^j} \sum_{k \in \mathbb{Z}^3} |\langle f, \tilde{\psi}_{j,\ell_1,\ell_2,k,d} \rangle|^2 \\
&+ \sum_{j \geq 0} \sum_{\ell_1, \ell_2 = \pm 2^j} \sum_{k \in \mathbb{Z}^3} |\langle f, \tilde{\psi}_{j,\ell_1,\ell_2,k} \rangle|^2 \\
&= \int_{\mathbb{R}^3} |\hat{f}(\xi)|^2 \sum_{j \geq 0} |W(2^{-2j}\xi)|^2 \left( \sum_{|\ell_1|, |\ell_2| < 2^j} |v(2^j \frac{\xi_2}{\xi_1} - \ell_1)|^2 |v(2^j \frac{\xi_3}{\xi_1} - \ell_2)|^2 + \right. \\
&+ \left. \sum_{|\ell_1|, |\ell_2| < 2^j} |v(2^j \frac{\xi_1}{\xi_2} - \ell_1)|^2 |v(2^j \frac{\xi_3}{\xi_2} - \ell_2)|^2 + \sum_{|\ell_1|, |\ell_2| < 2^j} |v(2^j \frac{\xi_1}{\xi_3} - \ell_1)|^2 |v(2^j \frac{\xi_2}{\xi_3} - \ell_2)|^2 \right) d\xi \\
&+ \int_{\mathcal{P}_1} |\hat{f}(\xi)|^2 \sum_{j \geq 0} |W(2^{-2j}\xi)|^2 \sum_{\ell_1 = \pm 2^j} \sum_{|\ell_2| < 2^j} |v(2^j \frac{\xi_2}{\xi_1} - \ell_1)|^2 |v(2^j \frac{\xi_3}{\xi_1} - \ell_2)|^2 d\xi \\
&+ \int_{\mathcal{P}_2} |\hat{f}(\xi)|^2 \sum_{j \geq 0} |W(2^{-2j}\xi)|^2 \sum_{\ell_1 = \pm 2^j} \sum_{|\ell_2| < 2^j} |v(2^j \frac{\xi_1}{\xi_2} - \ell_1)|^2 |v(2^j \frac{\xi_3}{\xi_2} - \ell_2)|^2 d\xi \\
&+ \int_{\mathcal{P}_2} |\hat{f}(\xi)|^2 \sum_{j \geq 0} |W(2^{-2j}\xi)|^2 \sum_{\ell_1 = \pm 2^j} \sum_{|\ell_2| < 2^j} |v(2^j \frac{\xi_1}{\xi_2} - \ell_2)|^2 |v(2^j \frac{\xi_3}{\xi_2} - \ell_1)|^2 d\xi \\
&+ \int_{\mathcal{P}_3} |\hat{f}(\xi)|^2 \sum_{j \geq 0} |W(2^{-2j}\xi)|^2 \sum_{\ell_1 = \pm 2^j} \sum_{|\ell_2| < 2^j} |v(2^j \frac{\xi_1}{\xi_3} - \ell_2)|^2 |v(2^j \frac{\xi_2}{\xi_3} - \ell_1)|^2 d\xi \\
&+ \int_{\mathcal{P}_1} |\hat{f}(\xi)|^2 \sum_{j \geq 0} |W(2^{-2j}\xi)|^2 \sum_{\ell_1 = \pm 2^j} \sum_{|\ell_2| < 2^j} |v(2^j \frac{\xi_2}{\xi_1} - \ell_2)|^2 |v(2^j \frac{\xi_3}{\xi_1} - \ell_1)|^2 d\xi \\
&+ \int_{\mathcal{P}_3} |\hat{f}(\xi)|^2 \sum_{j \geq 0} |W(2^{-2j}\xi)|^2 \sum_{\ell_1 = \pm 2^j} \sum_{|\ell_2| < 2^j} |v(2^j \frac{\xi_1}{\xi_3} - \ell_1)|^2 |v(2^j \frac{\xi_2}{\xi_3} - \ell_2)|^2 d\xi \\
&+ \int_{\mathcal{P}_1} |\hat{f}(\xi)|^2 \sum_{j \geq 0} |W(2^{-2j}\xi)|^2 \sum_{\ell_1, \ell_2 = \pm 2^j} |v(2^j \frac{\xi_2}{\xi_1} - \ell_1)|^2 |v(2^j \frac{\xi_3}{\xi_1} - \ell_2)|^2 d\xi \\
&+ \int_{\mathcal{P}_2} |\hat{f}(\xi)|^2 \sum_{j \geq 0} |W(2^{-2j}\xi)|^2 \sum_{\ell_1, \ell_2 = \pm 2^j} |v(2^j \frac{\xi_1}{\xi_2} - \ell_1)|^2 |v(2^j \frac{\xi_3}{\xi_2} - \ell_2)|^2 d\xi \\
&+ \int_{\mathcal{P}_3} |\hat{f}(\xi)|^2 \sum_{j \geq 0} |W(2^{-2j}\xi)|^2 \sum_{\ell_1, \ell_2 = \pm 2^j} |v(2^j \frac{\xi_1}{\xi_3} - \ell_1)|^2 |v(2^j \frac{\xi_2}{\xi_3} - \ell_2)|^2 d\xi \\
&= \int_{\mathbb{R}^3} |\hat{f}(\xi)|^2 \sum_{j \geq 0} |W(2^{-2j}\xi)|^2 \left( \sum_{|\ell_1|, |\ell_2| \leq 2^j} |v(2^j \frac{\xi_2}{\xi_1} - \ell_1)|^2 |v(2^j \frac{\xi_3}{\xi_1} - \ell_2)|^2 \chi_{\mathcal{P}_1}(\xi) \right. \\
&+ \left. \sum_{|\ell_1|, |\ell_2| \leq 2^j} |v(2^j \frac{\xi_1}{\xi_2} - \ell_1)|^2 |v(2^j \frac{\xi_3}{\xi_2} - \ell_2)|^2 \chi_{\mathcal{P}_2}(\xi) + \sum_{|\ell| \leq 2^j} |v(2^j \frac{\xi_1}{\xi_3} - \ell_1)|^2 |v(2^j \frac{\xi_2}{\xi_3} - \ell_2)|^2 \chi_{\mathcal{P}_3}(\xi) \right) d\xi
\end{aligned}$$

$$= \int_{\mathbb{R}^3} |\hat{f}(\xi)|^2 \sum_{j \geq 0} |W(2^{-2j}\xi)|^2 d\xi.$$

In the last step we used (2.9). From the calculations above, using (3.20) it follows that for any  $f \in L^2(\mathbb{R}^3)$ :

$$\begin{aligned} & \sum_{k \in \mathbb{Z}^3} |\langle f, \tilde{\psi}_{-1,k} \rangle|^2 + \sum_{d=1}^3 \sum_{j \geq 0} \sum_{|\ell_1| \leq 2^j} \sum_{|\ell_2| < 2^j} \sum_{k \in \mathbb{Z}^3} |\langle f, \tilde{\psi}_{j,\ell_1,\ell_2,k,d} \rangle|^2 + \sum_{j \geq 0} \sum_{\ell_1, \ell_2 = \pm 2^j} \sum_{k \in \mathbb{Z}^3} |\langle f, \tilde{\psi}_{j,\ell_1,\ell_2,k} \rangle|^2 \\ &= \int_{\mathbb{R}^3} |\hat{f}(\xi)|^2 |\Phi(\xi)|^2 d\xi + \int_{\mathbb{R}^3} |\hat{f}(\xi)|^2 \sum_{j \geq 0} |W(2^{-2j}\xi)|^2 d\xi \\ &= \int_{\mathbb{R}^3} |\hat{f}(\xi)|^2 \left( |\Phi(\xi)|^2 + \sum_{j \geq 0} |W(2^{-2j}\xi)|^2 \right) d\xi = \int_{\mathbb{R}^3} |\hat{f}(\xi)|^2 d\xi. \quad \square \end{aligned}$$

## 4 Higher dimensions

The construction of smooth Parseval frames of shearlets can be naturally generalized to higher dimensions. In this section, we briefly outline the main ideas needed to construct such shearlet systems in the  $D$ -dimensional setting.

For  $\xi = (\xi_1, \dots, \xi_D) \in \mathbb{R}^D$ , one can define a smooth low pass function  $\widehat{\Phi}(\xi)$  supported in  $[-\frac{1}{8}, \frac{1}{8}]^D$  as done in the previous sections, so that the function

$$W(\xi) = \sqrt{\widehat{\Phi}^2(2^{-2}\xi) - \widehat{\Phi}^2(\xi)}$$

satisfies

$$\widehat{\Phi}^2(\xi) + \sum_{j \geq 0} W^2(2^{-2j}\xi) = 1 \text{ for } \xi \in \mathbb{R}^D.$$

Next, let us define the anisotropic dilations matrices

$$A_{(1)} = \begin{pmatrix} 4 & 0 & \dots & 0 \\ 0 & 2 & \dots & 0 \\ \dots & \dots & \dots & \dots \\ 0 & 0 & \dots & 2 \end{pmatrix}, A_{(2)} = \begin{pmatrix} 2 & 0 & \dots & 0 \\ 0 & 4 & \dots & 0 \\ \dots & \dots & \dots & \dots \\ 0 & 0 & \dots & 2 \end{pmatrix}, \dots, A_{(D)} = \begin{pmatrix} 2 & 0 & \dots & 0 \\ 0 & 2 & \dots & 0 \\ \dots & \dots & \dots & \dots \\ 0 & 0 & \dots & 4 \end{pmatrix},$$

and, for  $\ell = (\ell_1, \dots, \ell_{D-1})$ , the shear matrices

$$B_{(1)}^{[\ell]} = \begin{pmatrix} 1 & \ell_1 & \dots & \ell_{D-1} \\ 0 & 1 & \dots & 0 \\ \vdots & \vdots & \vdots & \vdots \\ 0 & 0 & \dots & 1 \end{pmatrix}, B_{(2)}^{[\ell]} = \begin{pmatrix} 1 & 0 & \dots & 0 \\ \ell_1 & 1 & \dots & \ell_{D-1} \\ \vdots & \vdots & \vdots & \vdots \\ 0 & 0 & \dots & 1 \end{pmatrix}, \dots, B_{(D)}^{[\ell]} = \begin{pmatrix} 1 & 0 & \dots & 0 \\ 0 & 1 & \dots & 0 \\ \vdots & \vdots & \vdots & \vdots \\ \ell_1 & \ell_2 & \dots & 1 \end{pmatrix}.$$

To obtain a smooth Parseval frame of shearlets for  $L^2(\mathbb{R}^D)$ , one has to combine a set of coarse-scale shearlets, interior shearlets and boundary shearlets, similar to the constructions given above for  $D = 2, 3$ . In particular, the coarse-scale shearlets are similarly defined as the elements of the form  $\{\Phi(\cdot - k) : k \in \mathbb{Z}^D\}$ . The interior shearlets are the elements

$$\{\psi_{j,\ell,k}^{(d)} : j \geq 0, -2^j \leq \ell_1, \dots, \ell_{D-1} \leq 2^j, k \in \mathbb{Z}^D, d = 1, \dots, D\}, \quad (4.37)$$

where

$$\hat{\psi}_{j,\ell,k}^{(d)}(\xi) = |\det A_{(d)}|^{-j/2} W(2^{-2j}\xi) V_{(d)}(\xi A_{(d)}^{-j} B_{(d)}^{[-\ell]}) e^{2\pi i \xi A_{(d)}^{-j} B_{(d)}^{[-\ell]} k},$$

and

$$V_{(d)}(\xi_1, \dots, \xi_D) = \prod_{\substack{m=1, \dots, D \\ m \neq d}} v\left(\frac{\xi_m}{\xi_d}\right).$$

Notice that the index  $d$  is associated to the  $D$ -dimensional pyramid

$$\mathcal{P}_d = \left\{ \xi \in \mathbb{R}^D : \left| \frac{\xi_1}{\xi_d} \right| \leq 1, \dots, \left| \frac{\xi_D}{\xi_d} \right| \leq 1 \right\},$$

and each set of interior shearlets  $\{\psi_{j,\ell,k}^{(d)}\}$  is supported inside  $\mathcal{P}_d$  in the Fourier domain. To define the boundary shearlets, it is useful to recall that in the case  $D = 3$  there are 3 pyramidal regions and we defined 2 sets of boundary shearlets: one set corresponding to the 6 planes where 2 different pyramidal regions intersect; another set corresponding to the 4 lines where 3 different pyramidal regions intersect. For the  $D$ -dimensional shearlet system, the situation is similar. In fact, there are  $D$   $D$ -dimensional pyramidal regions. Hence we introduce several sets of boundary shearlets, each one associated with the  $L$ -hyperplanes where  $D - L$  pyramidal regions intersect, for  $L = 1, \dots, D - 1$ . One can verify that there are  $2^{D-L} C(D, D - L)$   $L$ -hyperplanes where  $D - L$  pyramidal regions intersect, where  $C(n, k) = \frac{n!}{(n-k)!k!}$ . Specifically, the boundary shearlets corresponding to the  $D - 1$ -hyperplanes (there are  $2^{D-1} C(D, D - 1)$  of them) are defined for  $\ell_1 = \pm 2^j, |\ell_2|, \dots, |\ell_{D-1}| < 2^j$  and have the form

$$(\tilde{\psi}_{j,\ell,k,d})^\wedge(\xi) = \begin{cases} 2^{-(D-1)\frac{D}{2}} 2^{-\frac{D+1}{2}} W(2^{-2j}\xi) V_{(q)}(\xi A_{(q)}^{-j} B_{(q)}^{[-\ell]}) e^{2\pi i \xi 2^{-(D-1)} A_{(q)}^{-j} B_{(q)}^{[-\ell]} k}, & \text{if } \xi \in \mathcal{P}_q \\ 2^{-(D-1)\frac{D}{2}} 2^{-\frac{D+1}{2}} W(2^{-2j}\xi) V_{(q')}(\xi A_{(q')}^{-j} B_{(q')}^{[-\ell]}) e^{2\pi i \xi 2^{-(D-1)} A_{(q')}^{-j} B_{(q')}^{[-\ell]} k}, & \text{if } \xi \in \mathcal{P}_{q'}, \end{cases}$$

for all combinations of pyramidal regions  $\mathcal{P}_q$  and  $\mathcal{P}_{q'}$ . The boundary shearlets corresponding to the  $(D - 2)$ -hyperplanes (there are  $2^{D-2} C(D, D - 2)$  of them) are defined for  $\ell_1, \ell_2 = \pm 2^j, |\ell_3|, \dots, |\ell_{D-1}| < 2^j$  and have the form

$$(\tilde{\psi}_{j,\ell,k,d})^\wedge(\xi) = \begin{cases} 2^{-(D-1)\frac{D}{2}} 2^{-\frac{D+1}{2}} W(2^{-2j}\xi) V_{(q)}(\xi A_{(q)}^{-j} B_{(q)}^{[-\ell]}) e^{2\pi i \xi 2^{-(D-1)} A_{(q)}^{-j} B_{(q)}^{[-\ell]} k}, & \text{if } \xi \in \mathcal{P}_q \\ 2^{-(D-1)\frac{D}{2}} 2^{-\frac{D+1}{2}} W(2^{-2j}\xi) V_{(q')}(\xi A_{(q')}^{-j} B_{(q')}^{[-\ell]}) e^{2\pi i \xi 2^{-(D-1)} A_{(q')}^{-j} B_{(q')}^{[-\ell]} k}, & \text{if } \xi \in \mathcal{P}_{q'} \\ 2^{-(D-1)\frac{D}{2}} 2^{-\frac{D+1}{2}} W(2^{-2j}\xi) V_{(q'')}(\xi A_{(q'')}^{-j} B_{(q'')}^{[-\ell]}) e^{2\pi i \xi 2^{-(D-1)} A_{(q'')}^{-j} B_{(q'')}^{[-\ell]} k}, & \text{if } \xi \in \mathcal{P}_{q''}, \end{cases}$$

for all combinations of pyramidal regions  $\mathcal{P}_q, \mathcal{P}_{q'}$  and  $\mathcal{P}_{q''}$ . Similarly one proceeds for the boundary shearlets corresponding to the  $L$ -hyperplanes, where  $L = (D - 3), (D - 4), \dots, 1$ .

## 5 Shearlet Molecules

The new systems of shearlets discussed above form Parseval frames of band-limited, well localized functions ranging at various scales and orientations under the action of anisotropic matrices and shearing transformations. The sparsity properties of these function systems are closely related to their localization properties, their directionality and their ability to deal with anisotropic features through the parabolic scaling which is produced by the dilation matrices. Indeed, one can try to define abstractly the type conditions which are required by a generic shearlet-like system in order to form a sparse representation system and this leads to a notion of *shearlet molecule*.

This type of notion was originally introduced by the authors in [15], in connection with the study of the shearlet representation of Fourier Integral Operators, where the following definition was introduced (in dimension  $D = 2$ ).

**Definition 5.1.** Let  $\mathcal{M} = \{(j, \ell, k) : j \geq 0, |\ell| \leq 2^j, k \in \mathbb{Z}^2\}$  and  $\mathcal{M}_j = \{(j, \ell, k) : |\ell| \leq 2^j, k \in \mathbb{Z}^2\}$ . For  $\mu = (j, \ell, k) \in \mathcal{M}$ , the function  $m_\mu(x) = 2^{3j/2} a_\mu(B_{(1)}^\ell A_{(1)}^j x - k)$  is an horizontal shearlet molecule with regularity  $R$  if the function  $\alpha_\mu$  satisfies the following properties:

(i) for each  $\gamma = (\gamma_1, \gamma_2) \in \mathbb{N} \times \mathbb{N}$  and each  $N \geq 0$  there is a constant  $C_N > 0$  such that

$$|\partial_x^\gamma a_\mu(x)| \leq C_{\gamma, N} (1 + |x|)^{-N}; \quad (5.38)$$

(ii) for each  $M \leq R$  and each  $N \geq 0$ , there is a constant  $C_{M, N} > 0$  such that

$$|\hat{a}_\mu(\xi)| \leq C_{M, N} (1 + |\xi|)^{-2N} (2^{-2j} + |\xi_1|)^M. \quad (5.39)$$

For  $\mu = (j, \ell, k) \in \mathcal{M}$ , the function  $m_\mu^{(2)}(x) = 2^{3j/2} a_\mu(B_{(2)}^\ell A_{(2)}^j x - k)$  is a vertical shearlet molecule with regularity  $R$  if the  $\alpha_\mu^{(2)}$  satisfies (5.38) and for each  $M \leq R$  and each  $N \geq 0$  there is a constant  $C_{N, M} > 0$  such that

$$\left| \hat{a}_\mu^{(2)}(\xi) \right| \leq C_{N, M} (1 + |\xi|)^{-2N} (2^{-2j} + |\xi_2|)^M.$$

The constants  $C_{\gamma, N}$  and  $C_{N, M}$  are independent of  $\mu$ .

Notice that this definition of shearlet molecule is similar to the curvelet molecules introduced by Candès and Demanet [1]. Both definitions adapt the notion of vaguelettes of Coifman and Meyer [30].

It is a very simple exercise to show that the affine-like horizontal shearlets (1.1) are also horizontal shearlet molecules, and the same holds for the corresponding vertical systems.

It turns out that also the new shearlet systems introduced in the sections above are shearlet molecules.

**Proposition 5.2.** *The horizontal shearlet system (2.10) is a system of horizontal shearlet molecules.*

**Proof.** Recall that the elements of the system (2.10) are of the form

$$\psi_{j, \ell, k}^{(1)}(x) = |\det A_{(1)}|^{j/2} \psi_{j, \ell}(B_{(1)}^\ell A_{(1)}^j x - k), \quad j \geq 0, |\ell| \leq 2^j, k \in \mathbb{Z}^2,$$

where

$$\hat{\psi}_{j, \ell}(\xi) = W_{j, \ell}(\xi) V_{(1)}(\xi)$$

and

$$W_{j, \ell}(\xi) = W(2^{-2j} \xi B_{(1)}^\ell A_{(1)}^j) = W(\xi_1, 2^{-j}(\xi_2 - \ell \xi_1)).$$

Hence, we need to show that  $\psi_{j, \ell}$  satisfies (5.38) and (5.39).

Notice that  $\hat{\psi}_{j, \ell}$  is compactly supported, uniformly for each  $j, \ell$ . In fact, the support conditions on  $W$  and  $V_{(1)}$  impose that  $\text{supp } \hat{\psi}_{j, \ell} \subset \{(\xi_1, \xi_2) \in \mathbb{R}^2 : |\frac{\xi_2}{\xi_1}| \leq 1, \xi_1 \in [-\frac{1}{2}, \frac{1}{2}] \setminus [-\frac{1}{16}, \frac{1}{16}]\}$ . From this observation, it is easy to verify that for all  $\beta = (\beta_1, \beta_2)$  such that  $|\beta| \leq 2N$ ,  $i = 1, 2$ , there is a constant  $C_N$  such that

$$\left| \partial_{\xi_i}^\beta \left( |\xi|^{2N} \hat{\psi}_{j, \ell}(\xi) \right) \right| \leq C_N.$$

This implies that (5.38) is satisfied.

To show that (5.39) is satisfied, notice first that support condition of  $V$  implies that there is a constant  $C_N$  such that

$$|V_{(1)}(\xi)| \leq C_N (1 + |\xi|)^{-2N}.$$

Next, a direct calculation show that, for all  $M \in \mathbb{N}$ , there is a constant  $C_M$  such that

$$|\partial_{\xi_1}^M W_{j, \ell}(\xi)| \leq C_M,$$

uniformly with respect to  $j, \ell$ , and  $\xi$ , and that

$$\partial_{\xi_1}^n W_{j, \ell}(\xi) \Big|_{\xi_1=0} = 0, \quad n = 0, 1, \dots, M-1,$$

due to the support assumptions on  $W$ . Hence (5.39) is satisfied.  $\square$

A very similar argument shows that vertical shearlet system (2.13) is a system of vertical shearlet molecules. In addition, taking again advantage of the assumptions on  $W$  and  $v$ , one can show by direct computation that also the boundary shearlets  $\{\tilde{\psi}_{j,\ell,k} : j \geq 0, \ell = \pm 2^j, k \in \mathbb{Z}^2\}$  defined in Sec. 2.1 are horizontal shearlet molecules.

Let us briefly examine a few implications of Definition 5.1. If  $m_\mu(x)$  is an horizontal shearlet molecule with regularity  $R$ , then it follows from (5.38) that

$$|(2\pi i\xi)^\gamma \hat{a}_\mu(\xi)| \leq \|\partial^\gamma a_\mu\|_{L^1} \leq C_\gamma,$$

and, thus, for all  $N \geq 0$  there is a constant  $C_N$  such that

$$|\hat{a}_\mu(\xi)| \leq C_N (1 + |\xi|)^{-N}.$$

It follows that for all  $N \geq 0$  there is a constant  $C_N$  such that

$$|\hat{m}_\mu(\xi)| \leq C_N 2^{-3j/2} (1 + |\xi A^{-j} B^{-\ell}|)^{-N}. \quad (5.40)$$

On the other hand, from (5.39) it follows that for each  $M \leq R$  and each  $N \geq 0$  there is a constant  $C_{N,M} > 0$  such that

$$|\hat{m}_\mu(\xi)| = |\hat{a}_\mu(\xi A^{-j} B^{-\ell})| \leq C_{N,M} 2^{-3j/2} \{2^{-2j} (1 + |\xi_1|)\}^M (1 + |\xi A^{-j} B^{-\ell}|)^{-2N} \quad (5.41)$$

Thus, combining (5.40) and (5.41), it follows that for each  $M \leq R$  and each  $N \geq 0$  there is a constant  $C_{N,M} > 0$  such that

$$|\hat{m}_\mu(\xi)| \leq C_{N,M} 2^{-3j/2} \min\{1, 2^{-2j} (1 + |\xi_1|)\}^M (1 + |\xi A^{-j} B^{-\ell}|)^{-2N}. \quad (5.42)$$

Similarly if  $m_\mu^{(v)}(x)$  is a vertical shearlet molecule with regularity  $R$ , then for all  $N \geq 0$  and all  $M \leq R$  there is a constant  $C_{N,M}$  independent of  $\mu$  such that:

$$|\hat{m}_\mu^{(v)}(\xi)| \leq C_{N,M} 2^{-3j/2} \min\{1, 2^{-2j} (1 + |\xi_2|)\}^M \left(1 + |\xi A_{(v)}^{-j} B_{(v)}^{-\ell}|\right)^{-2N}. \quad (5.43)$$

These properties are particularly useful, as discussed in [15], where it is shown that there is a notion of almost orthogonality associated with the shearlet molecules. Related to this, it is useful to recall that shearlet molecules were recently used to develop a notion of *sparsity equivalence* in [24], implying, essentially, that all systems satisfying the conditions given in Definition 5.1 share the same sparsity properties.

This point of view makes more precise the observation that there is a close affinity between the affine-like shearlets (1.3) and the new shearlets (2.10). Not only both systems form a Parseval frame for the same subspace  $L^2(\mathcal{P}_1)^\vee$ . They are also both horizontal shearlet molecules, implying that they have essentially the same geometrical and sparsity properties (when considered as systems in  $L^2(\mathcal{P}_1)^\vee$ ).

Finally, it is clear that the definition of shearlet molecules can be extended to higher dimensions. In particular, in dimension  $D = 3$  we have the following definition.

**Definition 5.3.** Let  $\mathcal{M} = \{(j, \ell, k) : j \geq 0, \ell = (\ell_1, \ell_2), |\ell_1|, |\ell_2| \leq 2^j, k \in \mathbb{Z}^3\}$ . For  $\mu = (j, \ell_1, \ell_2, k) \in \mathcal{M}$  and  $d = 1, 2, 3$ , the function  $m_\mu^{(d)}(x) = |\det A_{(d)}|^{j/2} a_\mu(B_{(d)}^{[\ell]} A_{(d)}^j x - k)$  is a shearlet molecule associated with the pyramidal region  $\mathcal{P}_d$  of regularity  $R$  if the function  $\alpha_\mu$  satisfies the following properties:

(i) for each  $\gamma = (\gamma_1, \gamma_2, \gamma_3) \in \mathbb{N}^3$  and each  $N \geq 0$  there is a constant  $C_N > 0$  such that

$$|\partial_x^\gamma a_\mu(x)| \leq C_{\gamma,N} (1 + |x|)^{-N}; \quad (5.44)$$

(ii) for each  $M \leq R$  and each  $N \geq 0$  there is a constant  $C_{N,M} > 0$  such that

$$|\hat{a}_\mu(\xi)| \leq C_{N,M} (1 + |\xi|)^{-2N} (2^{-2j} + |\xi_d|)^M. \quad (5.45)$$

The constants  $C_{\gamma,N}$  and  $C_{N,M}$  are independent of  $\mu$ .

A calculation similar to one above shows that the new cone-based shearlets (3.23) are shearlet molecules associated with the pyramidal regions  $\mathcal{P}_d$ .

**Acknowledgments.** The authors acknowledge support from NSF grant DMS 1008900/1008907; the second author also acknowledges support from NSF grant DMS 1005799.

## References

- [1] E. J. Candès, and L. Demanet, The curvelet representation of wave propagators is optimally sparse, *Comm. Pure Appl. Math.* **58** (2005), 1472–1528.
- [2] E. J. Candès and D. L. Donoho, *Ridgelets: the key to high dimensional intermittency?* Philosophical Transactions of the Royal Society of London A, **357** (1999), 2495–2509.
- [3] E. J. Candès and D. L. Donoho, *New tight frames of curvelets and optimal representations of objects with  $C^2$  singularities*, *Comm. Pure Appl. Math.*, **57** (2004), 219–266.
- [4] F. Colonna, G. Easley, K. Guo, and D. Labate, *Radon Transform Inversion using the Shearlet Representation*, *Appl. Comput. Harmon. Anal.* **29**(2)2 (2010), 232–250.
- [5] S. Dahlke, G. Kutyniok, P. Maass, C. Sagiv, H.-G. Stark, and G. Teschke, *The uncertainty principle associated with the continuous shearlet transform*, *Int. J. Wavelets Multiresolut. Inf. Process.* **6** (2008), 157–181.
- [6] M. N. Do and M. Vetterli, *The contourlet transform: an efficient directional multiresolution image representation*, *IEEE Trans. Image Process.* **14** (2005), 2091–2106.
- [7] D. L. Donoho, *Wedgelets: Nearly-minimax estimation of edges*, *Annals of Statistics*, **27** (1999), 859–897.
- [8] D. L. Donoho and G. Kutyniok. *Microlocal Analysis of the Geometric Separation Problem*, preprint 2010.
- [9] G. R. Easley, D. Labate, F. Colonna, *Shearlet-Based Total Variation Diffusion for Denoising*, *IEEE Trans. Image Proc.* **18** (2) (2009), 260–268.
- [10] G. R. Easley, D. Labate, and W. Lim, *Sparse Directional Image Representations using the Discrete Shearlet Transform*, *Appl. Comput. Harmon. Anal.*, **25** (1) (2008), 25–46.
- [11] P. Grohs, Tree Approximation with anisotropic decompositions. *Applied and Computational Harmonic Analysis* (2011), to appear.
- [12] P. Grohs, Bandlimited Shearlet Frames with nice Duals. SAM Report 2011-55, ETH Zurich, July 2011.
- [13] K. Guo, G. Kutyniok, and D. Labate, *Sparse Multidimensional Representations using Anisotropic Dilation and Shear Operators*, in: *Wavelets and Splines*, G. Chen and M. Lai (eds.), Nashboro Press, Nashville, TN (2006), pp. 189–201.
- [14] K. Guo, D. Labate, *Optimally Sparse Multidimensional Representation using Shearlets*, *SIAM J. Math. Anal.*, **9** (2007), 298–318
- [15] K. Guo, D. Labate, *Representation of Fourier Integral Operators using Shearlets*, *J. Fourier Anal. Appl.* **14** (2008), 327–371
- [16] K. Guo, and D. Labate, *Characterization and analysis of edges using the continuous shearlet transform*, *SIAM J. Imag. Sci.* **2** (2009), 959–986.



- [17] K. Guo, and D. Labate, *Optimally sparse 3D approximations using shearlet representations*, Electronic Research Announcements in Mathematical Sciences **17** (2010), 126–138.
- [18] K. Guo, and D. Labate, *Optimally sparse representations of 3D Data with  $C^2$  surface singularities using Parseval frames of shearlets* preprint (2011).
- [19] K. Guo, D. Labate and W.-Q Lim, *Edge analysis and identification using the Continuous Shearlet Transform*, Appl. Comput. Harmon. Anal. **27** (2009), 24–46.
- [20] K. Guo, D. Labate, W.-Q Lim, G. Weiss and E. Wilson, *Wavelets with composite dilations*, Electron. Res. Announc. Amer. Math. Soc., **10** (2004), 78–87
- [21] K. Guo, D. Labate, W.-Q. Lim, G. Weiss and E. Wilson, The theory of wavelets with composite dilations, in: Harmonic Analysis and Applications, C. Heil (ed.), Birkhäuser, Boston, MA, 2006.
- [22] K. Guo, W.-Q. Lim, D. Labate, G. Weiss and E. Wilson, *Wavelets with composite dilations and their MRA properties*, Appl. Computat. Harmon. Anal. **20** (2006), 231–249.
- [23] P. Kittipoom, G. Kutyniok, and W.-Q Lim, *Construction of compactly supported shearlet frames*, Constr. Approx., to appear (2011).
- [24] G. Kutyniok, *Sparsity Equivalence of Anisotropic Decompositions*, preprint (2011).
- [25] G. Kutyniok and D. Labate, *Resolution of the wavefront set using continuous shearlets*, Trans. Amer. Math. Soc. **361** (2009), 2719–2754.
- [26] G. Kutyniok, J. Lemvig, and W.-Q Lim, *Compactly supported shearlet frames and optimally sparse approximations of functions in  $L^2(\mathbb{R}^3)$  with piecewise  $C^2$  singularities*, preprint.
- [27] G. Kutyniok and W.-Q Lim, *Compactly supported shearlets are optimally sparse*, J. Approx. Theory, to appear.
- [28] G. Kutyniok and T. Sauer. *Adaptive Directional Subdivision Schemes and Shearlet Multiresolution Analysis*, SIAM J. Math. Anal. **41** (2009), 1436–1471.
- [29] D. Labate, W.-Q Lim, G. Kutyniok, and G. Weiss. *Sparse multidimensional representation using shearlets*, in Wavelets XI, edited by M. Papadakis, A. F. Laine, and M. A. Unser, SPIE Proc. **5914** (2005), SPIE, Bellingham, WA, 2005, 254–262.
- [30] Y. Meyer, R. Coifman *Wavelets, Calderón-Zygmund Operators and Multilinear Operators*, Cambridge Univ. Press, Cambridge, 1997.
- [31] V.M. Patel, G. Easley, D. M. Healy, *Shearlet-based deconvolution* IEEE Trans. Image Process. **18**(12) (2009), 2673-2685
- [32] S. Yi, D. Labate, G. R. Easley, and H. Krim, *A Shearlet approach to Edge Analysis and Detection*, IEEE Trans. Image Process **18**(5) (2009), 929–941.